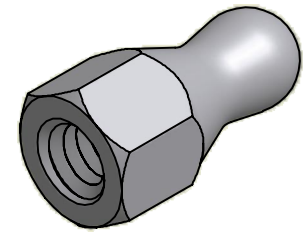
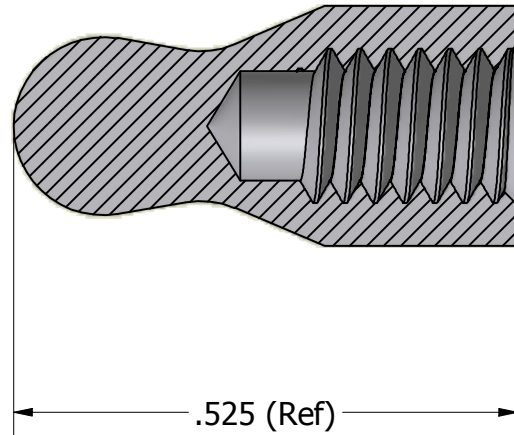
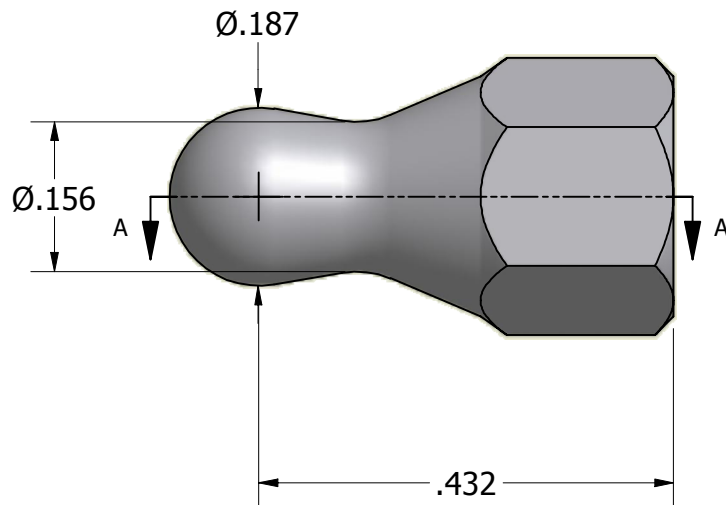


SECTION A-A

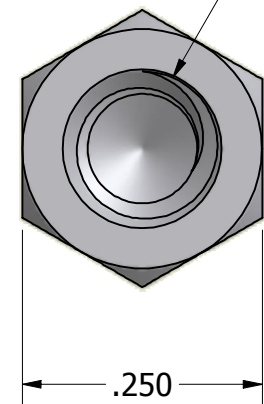


ISO SCALE 3 : 1



6-32 UNC-2B x 0.219 min

Full Threads



Tolerances Unless Otherwise Specified:

.xx Decimal: ± .02
.xxx Decimal: ± .005
Fraction: ± 1/64
Angle: ± 2°

LYN-TRON, INC.

Part Number:

STB101-0.525

Description:

1/4 Hex Ball Stud - Female

Drawn By:

JEFFN

06/16/2010

Gauge:

Material:

Steel

Scale:

5 : 1