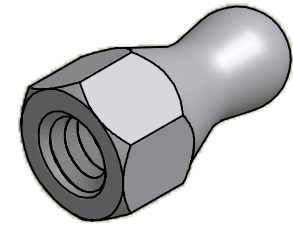
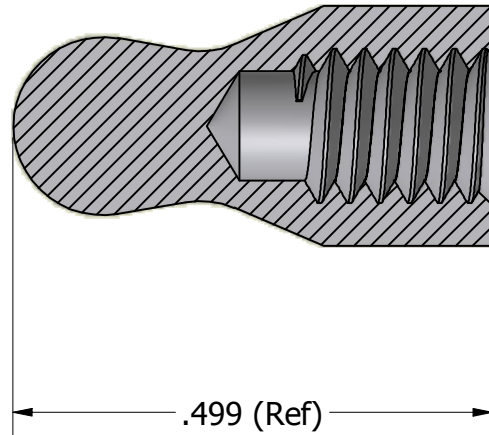
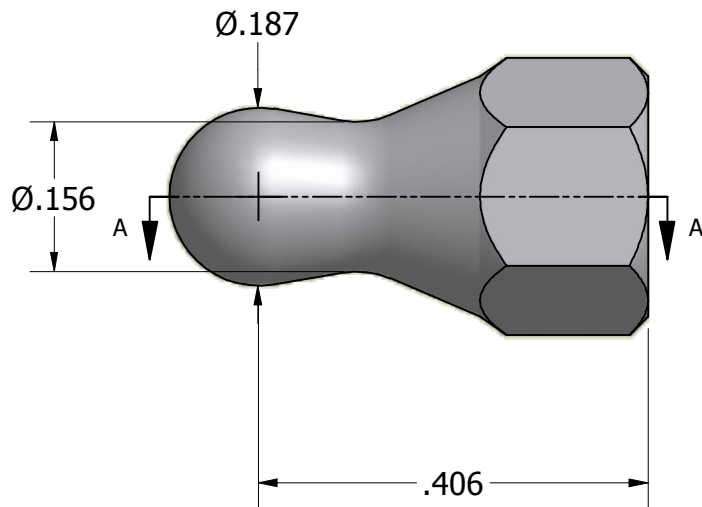


SECTION A-A

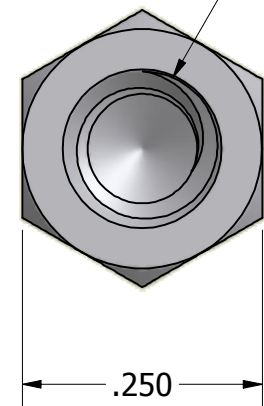


ISO SCALE 3 : 1



6-32 UNC-2B x 0.193 min

Full Threads



Tolerances Unless Otherwise Specified:

**.xx Decimal:** ± .02  
**.xxx Decimal:** ± .005  
**Fraction:** ± 1/64  
**Angle:** ± 2°

**LYN-TRON, INC.**

Part Number:

**STB101-0.499**

Description:

**1/4 Hex Ball Stud - Female**

Drawn By:

**JEFFN**

**06/16/2010**

Gauge:

Material:

**Steel**

Scale:

**5 : 1**