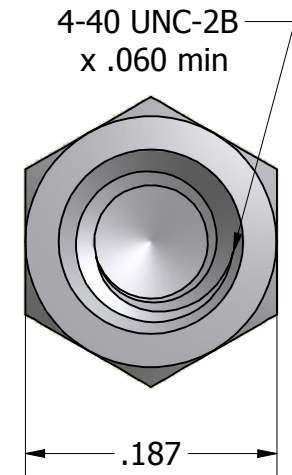
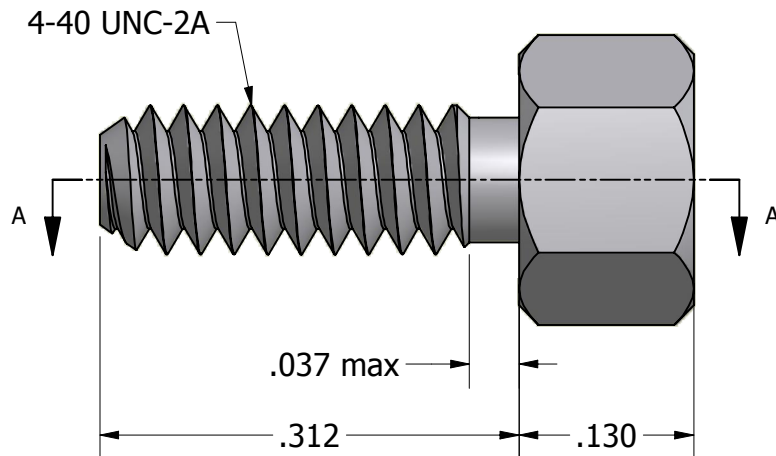


ISO SCALE 3 : 1



Tolerances Unless Otherwise Specified:

**.xx Decimal:** ± .01  
**.xxx Decimal:** ± .004  
**Fraction:** ± 1/64  
**Angle:** ± 2°

**LYN-TRON, INC.**

Part Number:

**ST9452**

Description:

**3/16 Hex Jackscrew**

Drawn By:

**kenang 9/30/2010**

Gauge:

Material:

**Steel 12L14**

Scale:

**7:1**