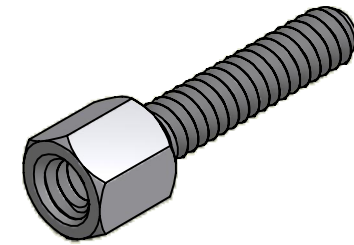
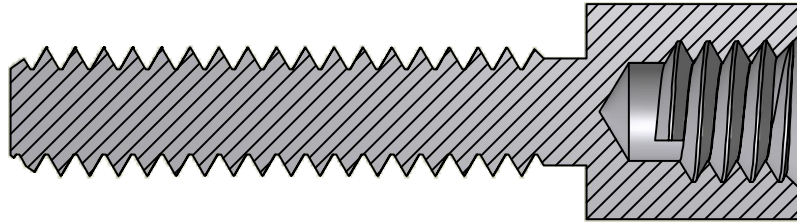
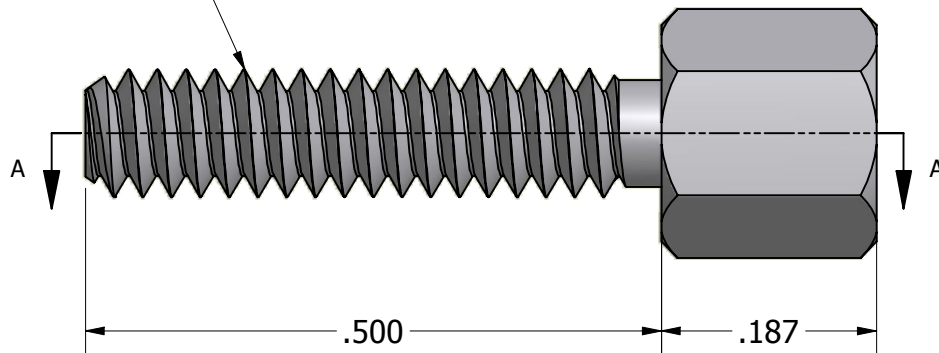


SECTION A-A

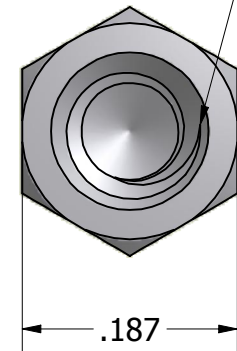


ISO SCALE 3 : 1

4-40 UNC-2A



4-40 UNC-2B
x .110 min



Tolerances Unless Otherwise Specified:

.xx Decimal: ± .01
.xxx Decimal: ± .004
Fraction: ± 1/64
Angle: ± 2°

LYN-TRON, INC.

Part Number:

ST9415

Description:

3/16 Hex Jack Screw

Drawn By:

kenang 8/24/2010

Gauge:

Material:

Steel 12L14

Scale:

6:1