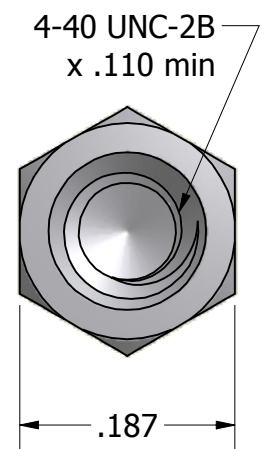
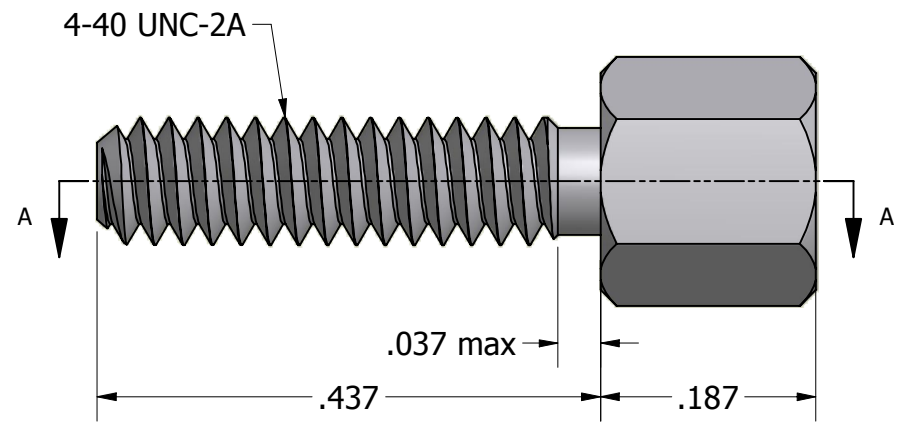


ISO SCALE 3 : 1



Tolerances Unless Otherwise Specified:		<b>LYN-TRON, INC.</b>	
.xx Decimal: ± .01			
.xxx Decimal: ± .004		Part Number:	
Fraction: ± 1/64		<b>ST9414</b>	
Angle: ± 2°		Description:	
		<b>3/16 Hex Jack Screw</b>	
Drawn By:	Gauge:	Material:	Scale:
<b>kenang</b>	<b>12/20/2010</b>	<b>Steel 12L14</b>	<b>6:1</b>