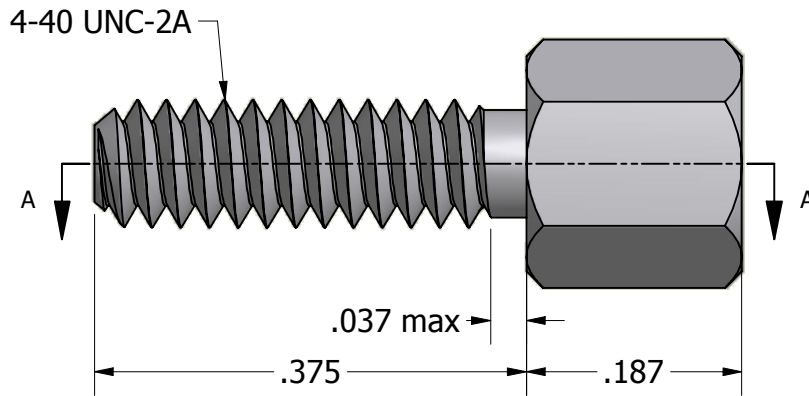
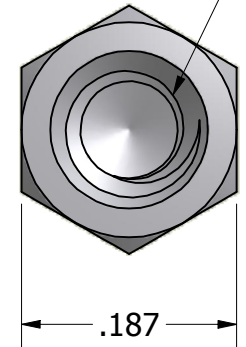


ISO SCALE 2 : 1



4-40 UNC-2B
x .110 min



Tolerances Unless Otherwise Specified:

.xx Decimal: $\pm .02$
.xxx Decimal: $\pm .005$
Fraction: $\pm 1/64$
Angle: $\pm 2^\circ$

LYN-TRON, INC.

Part Number:

ST9413

Description:

3/16 Hex Jack Screw

Drawn By:

kenang 1/7/2011

Gauge:

Material:

Steel 12L14

Scale:

6:1