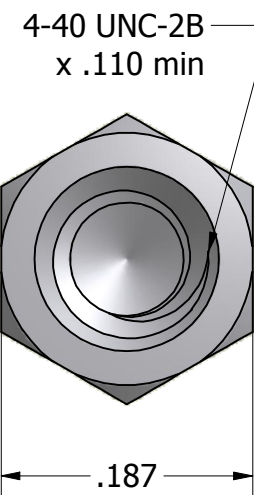
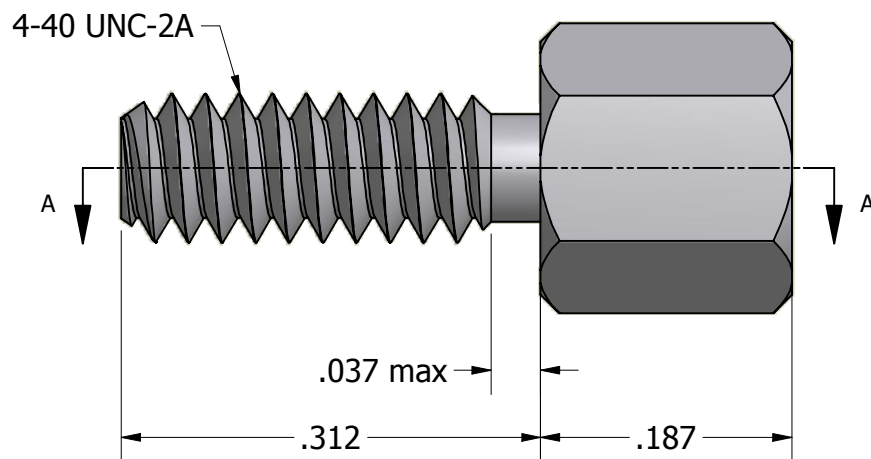


ISO SCALE 3 : 1



Tolerances Unless Otherwise Specified:

.xx Decimal: $\pm .01$
.xxx Decimal: $\pm .004$
Fraction: $\pm 1/64$
Angle: $\pm 2^\circ$

LYN-TRON, INC.

Part Number:

ST9412

Description:

3/16 Hex Jack Screw

Drawn By:

kenang 10/21/2010

Gauge:

Material:

Steel

Scale:

7:1