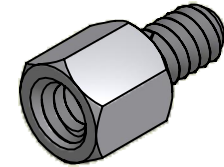
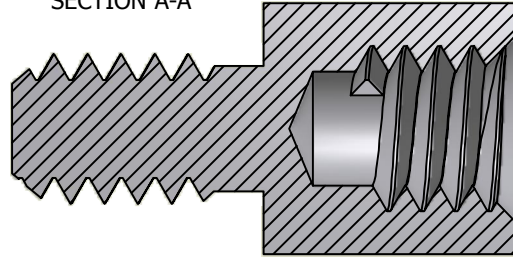
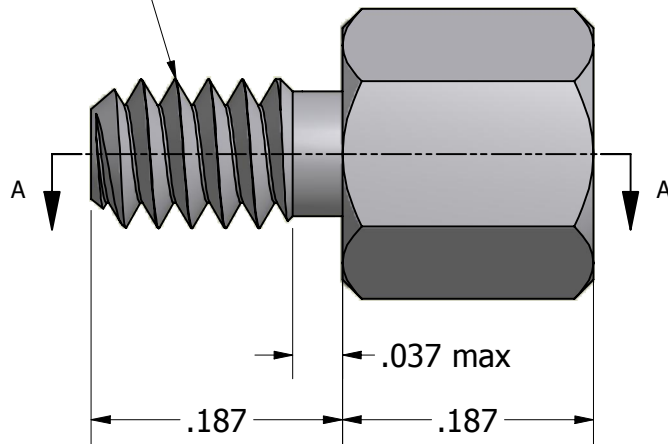


SECTION A-A

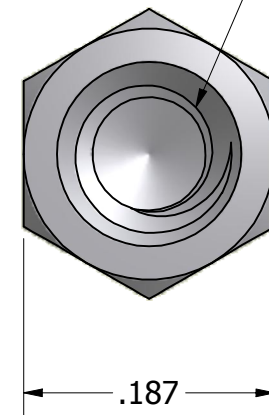


ISO SCALE 3 : 1

4-40 UNC-2A



4-40 UNC-2B  
x .110 min



Tolerances Unless Otherwise Specified:

**.xx Decimal:** ± .02  
**.xxx Decimal:** ± .005  
**Fraction:** ± 1/64  
**Angle:** ± 2°

**LYN-TRON, INC.**

Part Number:

**ST9410**

Description:

**3/16 Hex Jack Screw**

Drawn By:

**kenang 1/12/2011**

Gauge:

**PP**

Material:

**Steel**

Scale:

**7:1**