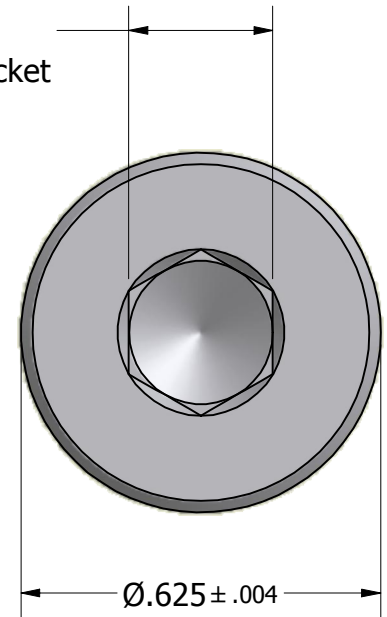


.250 Hex
.125 deep socket



Notes:
(1) Break all sharp edges

Tolerances Unless Otherwise Specified:

.xx Decimal: $\pm .02$
.xxx Decimal: $\pm .005$
Fraction: $\pm 1/64$
Angle: $\pm 2^\circ$

LYN-TRON, INC.

Part Number:

ST7475

Description:

Precision Shoulder Screw -- Socket Head

Drawn By:

COURTNEYS09/06/2012

Gauge:

Material:

Steel

Scale:

3 : 1