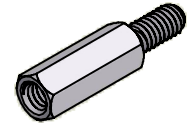
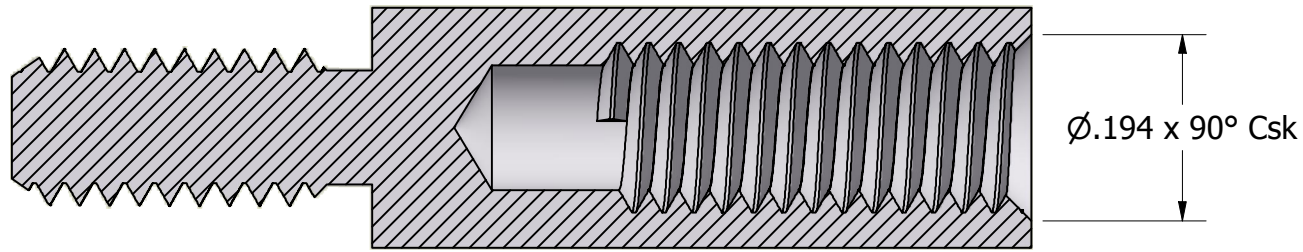
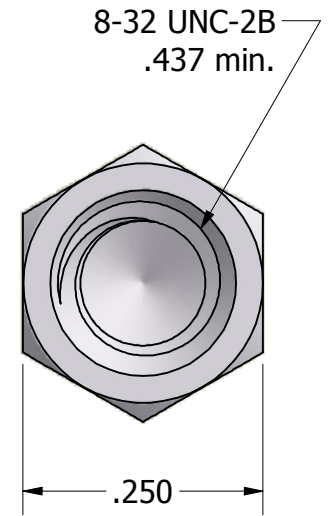
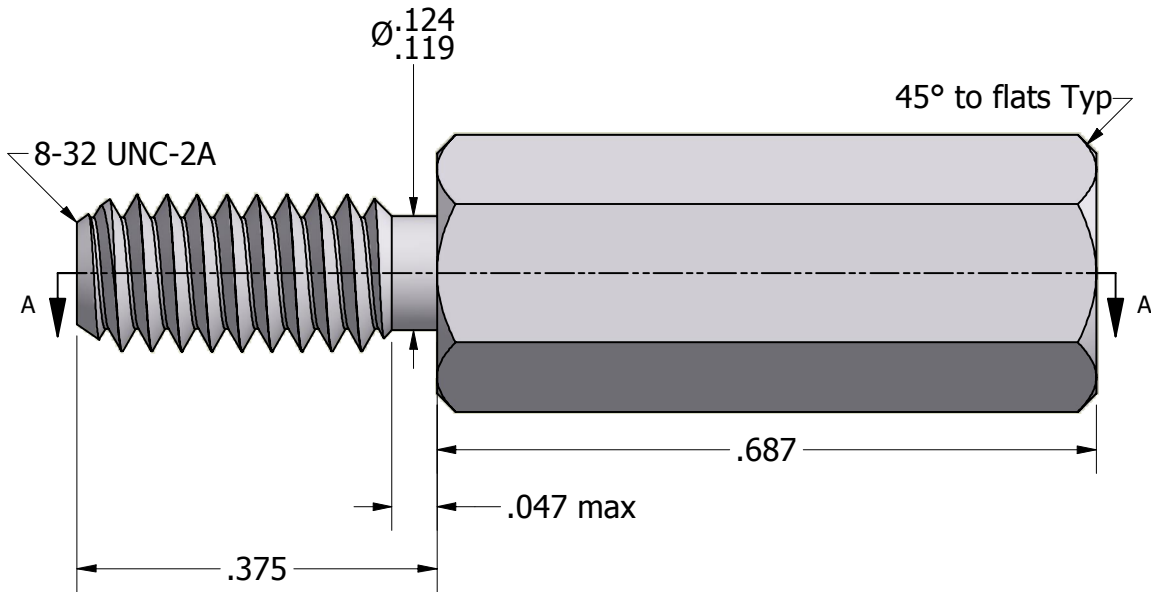


SECTION A-A



ISO SCALE 1 : 1



Tolerances Unless Otherwise Specified:		LYN-TRON, INC.	
.xx Decimal:	± .02		
.xxx Decimal:	± .005	Part Number:	
Fraction:	± 1/64	ST6982-0.687	
Angle:	± 2°	Description:	
		1/4 Hex Male-Female Standoff	
Drawn By:	Gauge:	Material:	Scale:
KENANG 07/05/2011		Steel	5 : 1