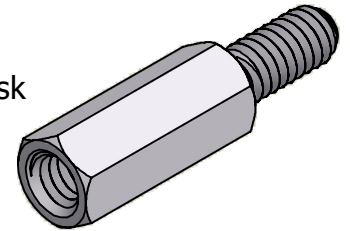
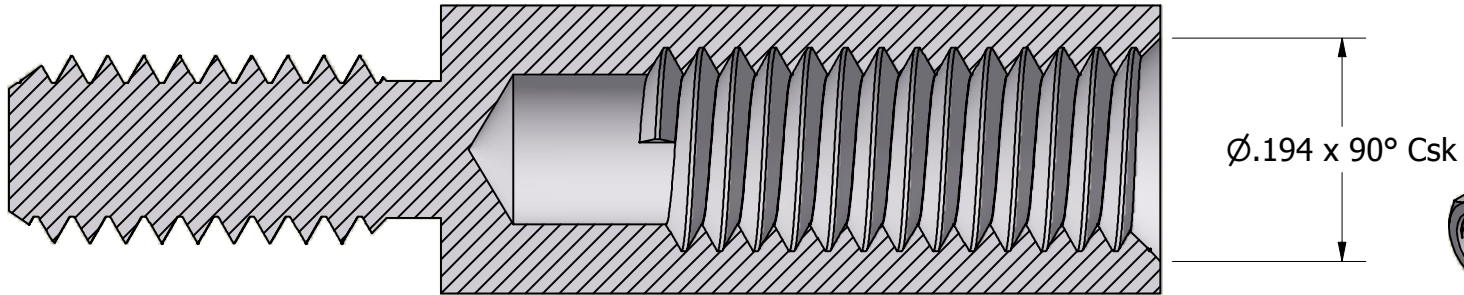
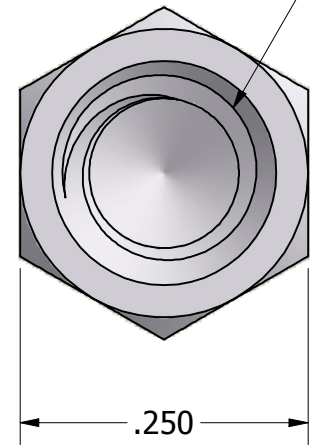
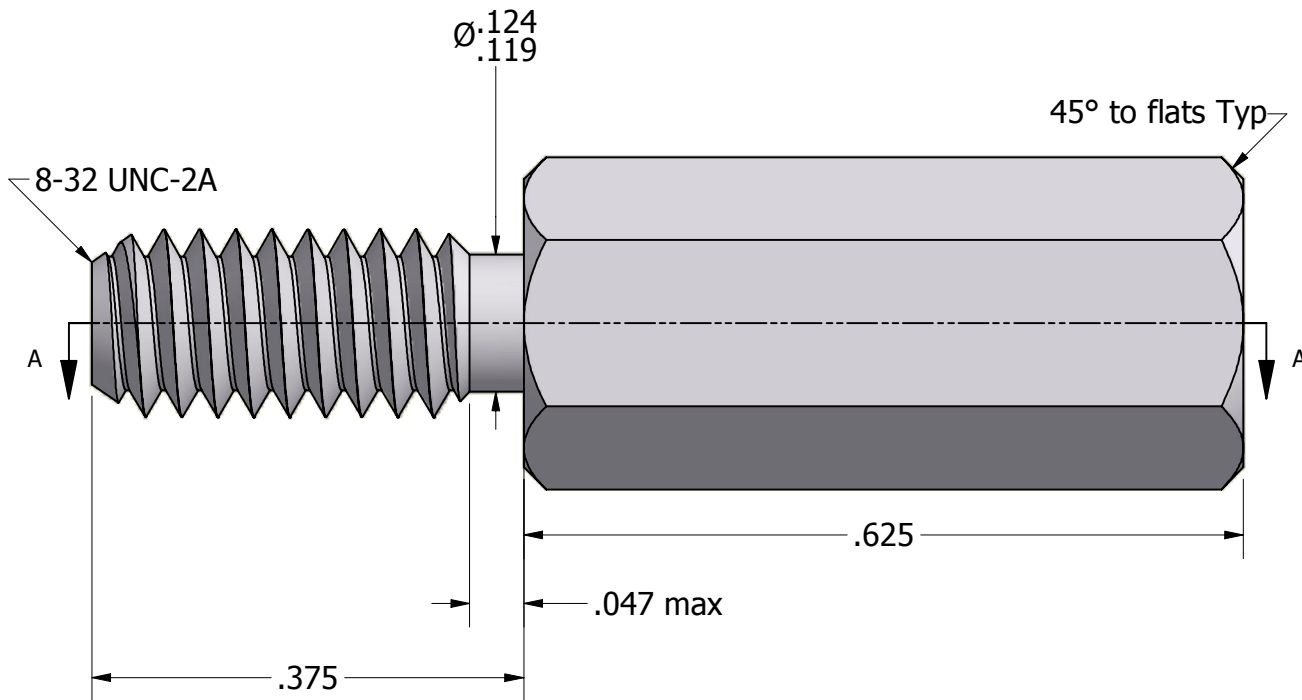


SECTION A-A



ISO SCALE 2 : 1

8-32 UNC-2B  
.437 min.



Tolerances Unless Otherwise Specified:

.xx Decimal:  $\pm .02$   
 .xxx Decimal:  $\pm .005$   
 Fraction:  $\pm 1/64$   
 Angle:  $\pm 2^\circ$

**LYN-TRON, INC.**

Part Number:

**ST6982-0.625**

Description:

**1/4 Hex Male-Female Standoff**

Drawn By:

**KENANG 07/05/2011**

Gauge:

Material:

**Steel**

Scale:

**6 : 1**