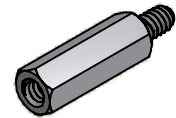
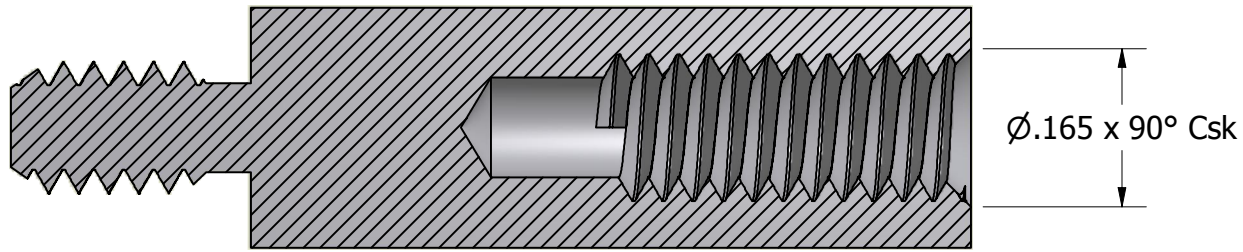
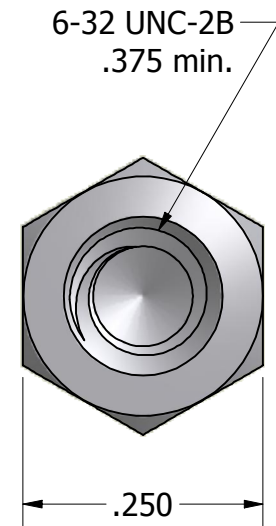
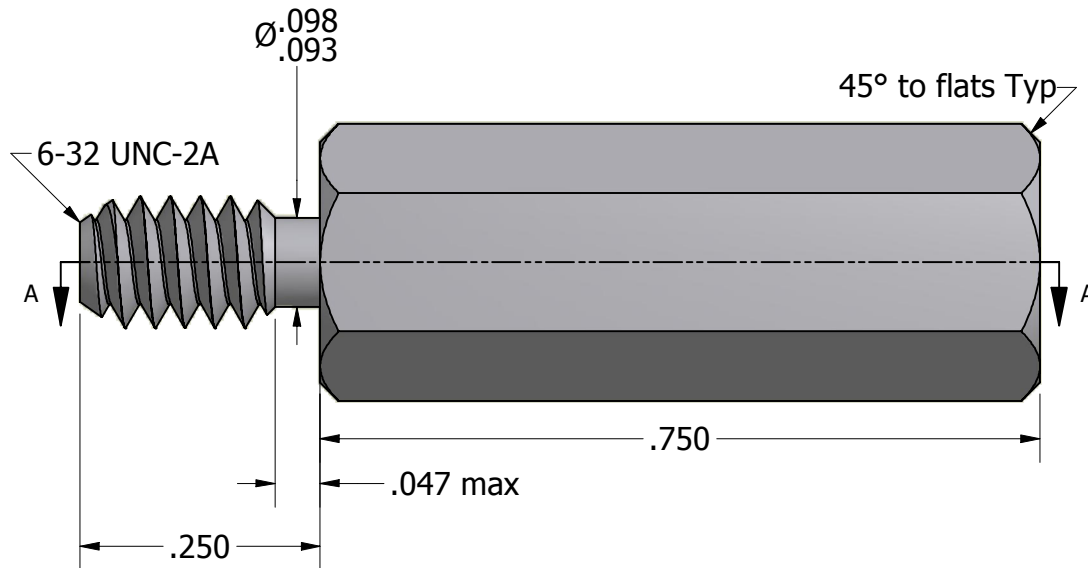


SECTION A-A



ISO SCALE 1 : 1



Tolerances Unless Otherwise Specified:

.xx Decimal:  $\pm .02$   
 .xxx Decimal:  $\pm .005$   
 Fraction:  $\pm 1/64$   
 Angle:  $\pm 2^\circ$

**LYN-TRON, INC.**

Part Number:

**ST6981-0.750**

Description:

**1/4 Hex Male-Female Standoff**

Drawn By:

**RICKZ 10/14/2011**

Gauge:

Material:

**Steel**

Scale:

**5 : 1**