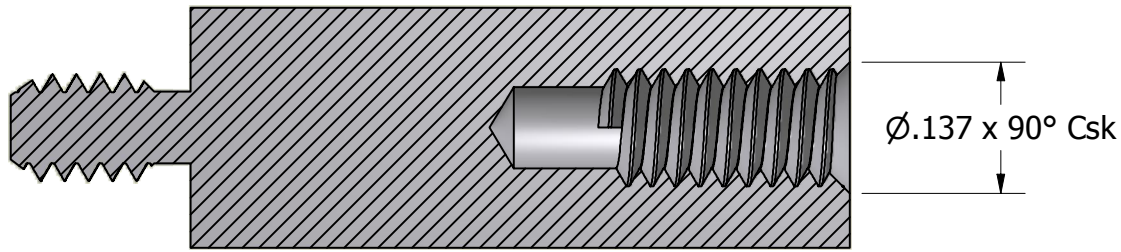
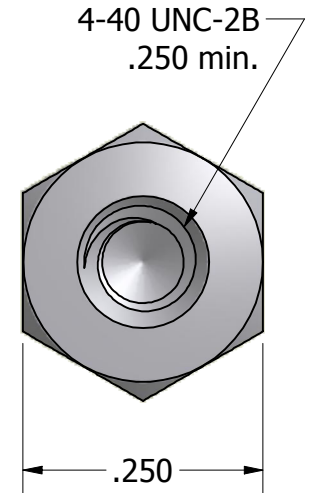
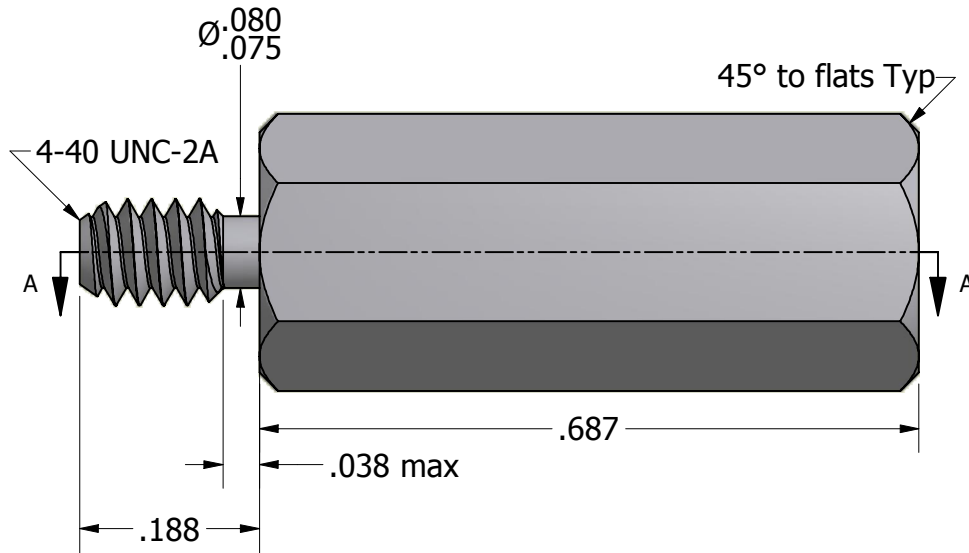


SECTION A-A



ISO SCALE 1 : 1



Tolerances Unless Otherwise Specified:

.xx Decimal: $\pm .02$
.xxx Decimal: $\pm .005$
Fraction: $\pm 1/64$
Angle: $\pm 2^\circ$

LYN-TRON, INC.

Part Number:

ST6980-0.687

Description:

1/4 Hex Male-Female Standoff

Drawn By:

RICKZ 10/13/2011

Gauge:

Material:

Steel

Scale:

5 : 1