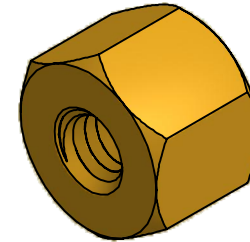
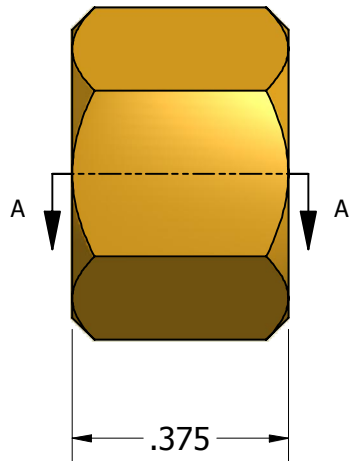


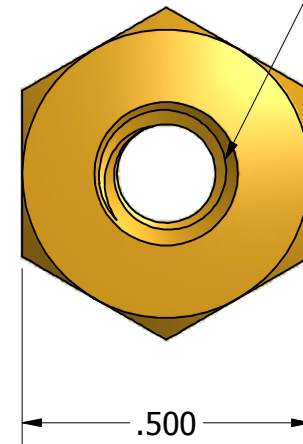
SECTION A-A



ISO SCALE 2 : 1



12-24 UNC-2B Thru



Tolerances Unless Otherwise Specified:

**.xx Decimal:**  $\pm .02$   
**.xxx Decimal:**  $\pm .005$   
**Fraction:**  $\pm 1/64$   
**Angle:**  $\pm 2^\circ$

**LYN-TRON, INC.**

Part Number:

**ST6955-1224-0.375**

Description:

**1/2 Hex Standoff**

Drawn By:

**JEFFN**

**07/10/2010**

Gauge:

Material:

**Steel**

Scale:

**3 : 1**