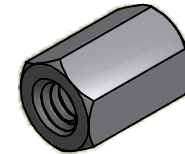
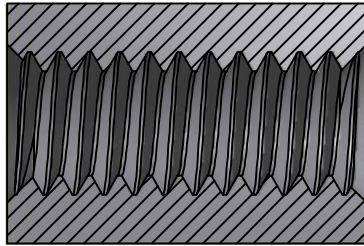
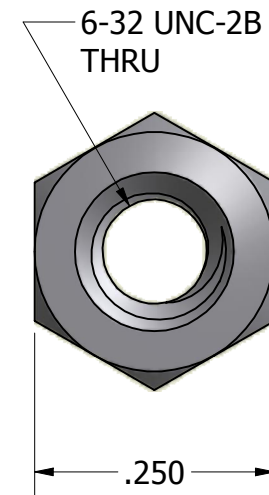
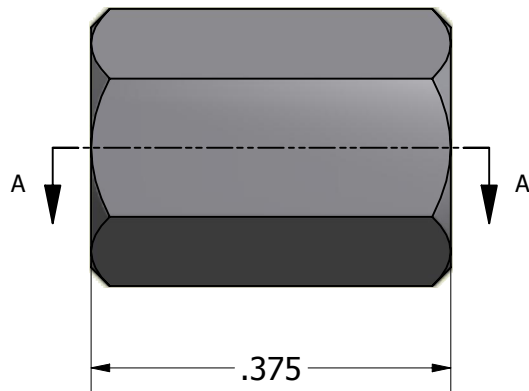


SECTION A-A



ISO SCALE 2 : 1



Tolerances Unless Otherwise Specified:

**.xx Decimal:** ± .01  
**.xxx Decimal:** ± .004  
**Fraction:** ± 1/64  
**Angle:** ± 2°

**LYN-TRON, INC.**

Part Number:  
**ST6951-0632-0.375**

Description:  
**1/4 Hex Standoff**

Drawn By:  
**Cameron C. 6/20/2013**

Gauge:

Material:  
**Steel**

Scale:  
**5:1**