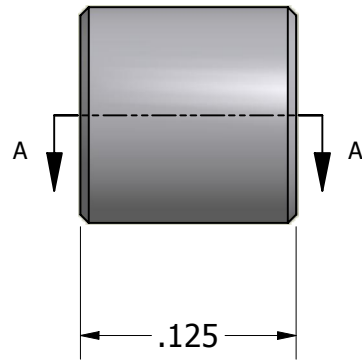


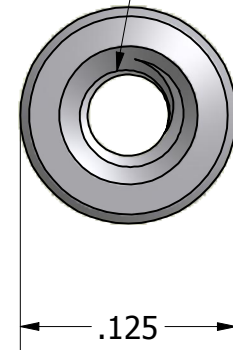
SECTION A-A



ISO SCALE 3 : 1



0-80 UNF-2B Thru



Tolerances Unless Otherwise Specified:

- .xx Decimal:** $\pm .02$
- .xxx Decimal:** $\pm .005$
- Fraction:** $\pm 1/64$
- Angle:** $\pm 2^\circ$

LYN-TRON, INC.

Part Number:
ST6948-0080-0.125

Description:
1/8 Round Standoff

Drawn By:
COURTNEYS08/19/2011

Gauge:

Material:
Steel

Scale:
9 : 1