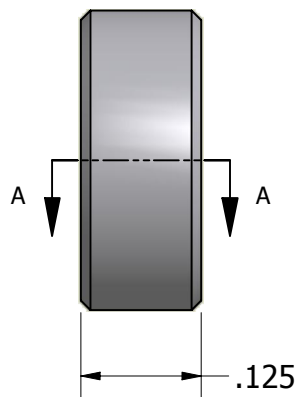


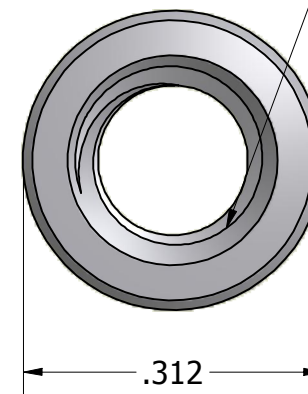
SECTION A-A



ISO SCALE 3 : 1



10-32 UNF-2B Thru



Tolerances Unless Otherwise Specified:

.xx Decimal: ± .02
.xxx Decimal: ± .005
Fraction: ± 1/64
Angle: ± 2°

LYN-TRON, INC.

Part Number:

ST6942-1032-0.125

Description:

5/16 Round Standoff

Drawn By:

JEFFN

07/12/2010

Gauge:

Material:

Steel

Scale:

5 : 1