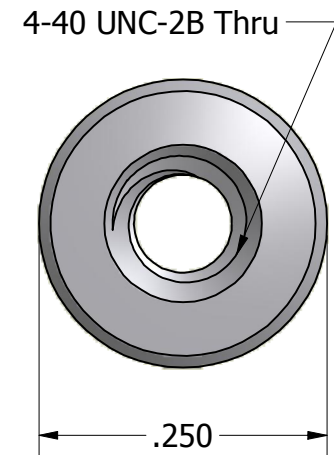
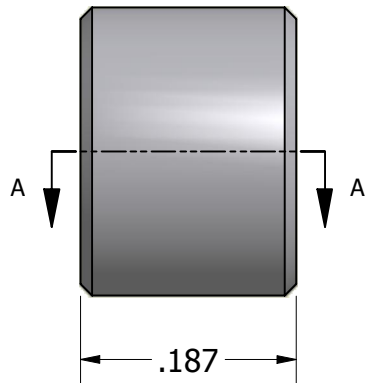


SECTION A-A



ISO SCALE 2 : 1



Tolerances Unless Otherwise Specified:			
<b>.xx Decimal:</b> ± .02 <b>.xxx Decimal:</b> ± .005 <b>Fraction:</b> ± 1/64 <b>Angle:</b> ± 2°			
		Part Number:	
		<b>ST6941-0440-0.187</b>	
		Description:	
		<b>1/4 Round Standoff</b>	
Drawn By:	Gauge:	Material:	Scale:
<b>JEFFN 07/12/2010</b>		<b>Steel</b>	<b>6 : 1</b>