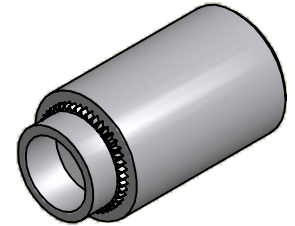
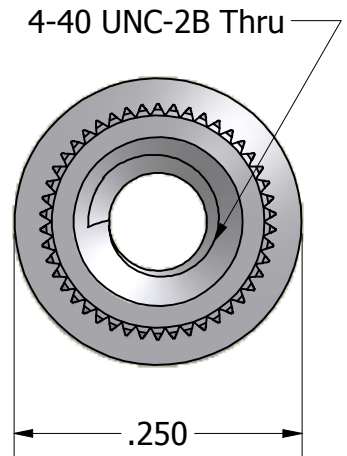
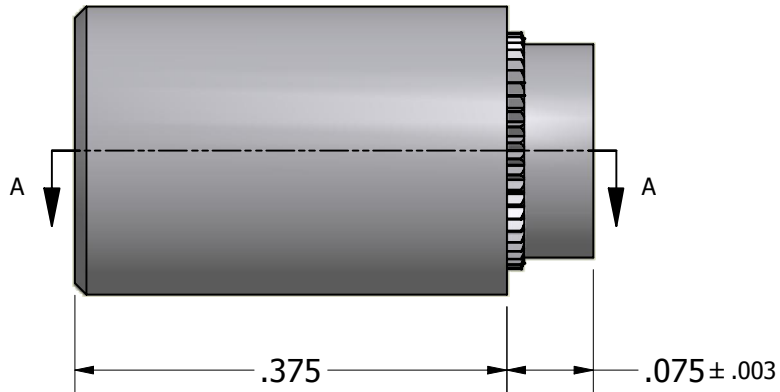


SECTION A-A



ISO SCALE 3 : 1



Tolerances Unless Otherwise Specified:

.xx Decimal: $\pm .02$
.xxx Decimal: $\pm .005$
Fraction: $\pm 1/64$
Angle: $\pm 2^\circ$

LYN-TRON, INC.

Part Number:

ST6911SPA-0.375

Description:

1/4" Rnd 4-40 Swage Standoff

Drawn By:

COURTNEYS05/31/2012

Gauge:

Material:

Steel

Scale:

6 : 1