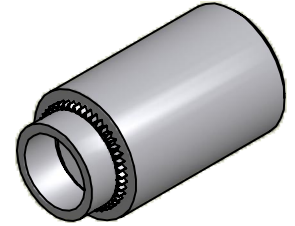
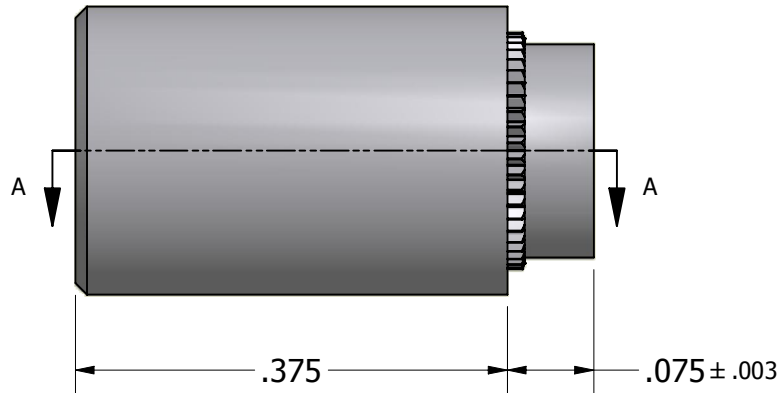


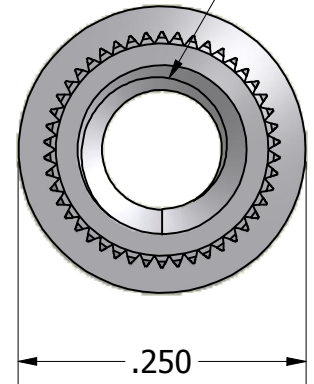
SECTION A-A



ISO SCALE 3 : 1



6-32 UNC-2B Thru



Tolerances Unless Otherwise Specified:

.xx Decimal: ± .02  
 .xxx Decimal: ± .005  
 Fraction: ± 1/64  
 Angle: ± 2°

**LYN-TRON, INC.**

Part Number:

**ST6910SPA-0.375**

Description:

**1/4" Rnd 6-32 Swage Standoff**

Drawn By:

**COURTNEYS04/24/2012**

Gauge:

Material:

**Steel**

Scale:

**6 : 1**