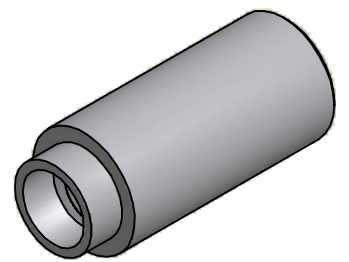
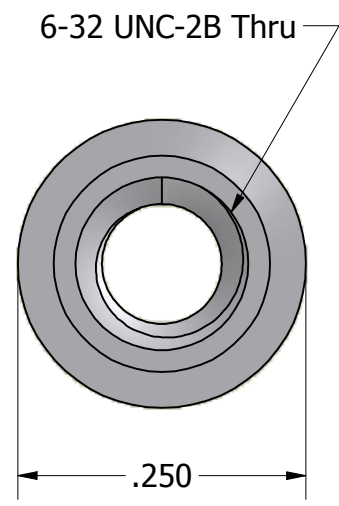
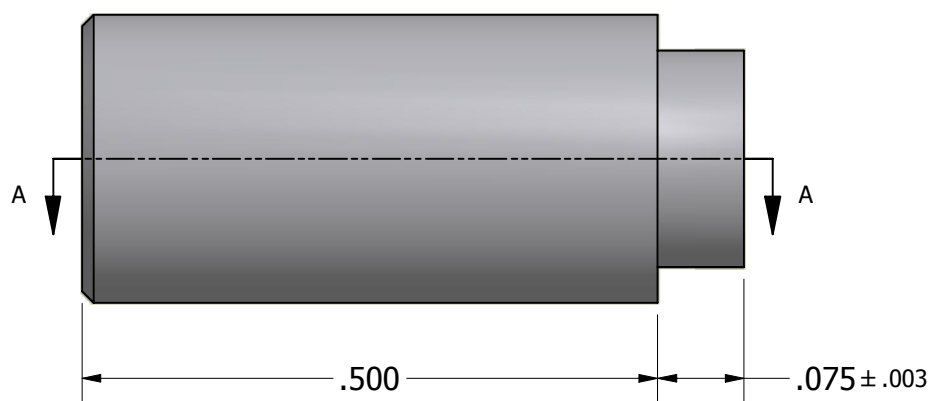


SECTION A-A



ISO SCALE 3 : 1



Tolerances Unless Otherwise Specified:		LYN-TRON, INC.	
.xx Decimal:	± .02		
.xxx Decimal:	± .005	Part Number:	
Fraction:	± 1/64	ST6910A-0.500	
Angle:	± 2°	Description:	
		1/4 Round Swage Standoff	
Drawn By:	Gauge:	Material:	Scale:
COURTNEYS06/23/2010		Steel	6 : 1