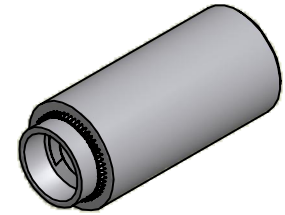
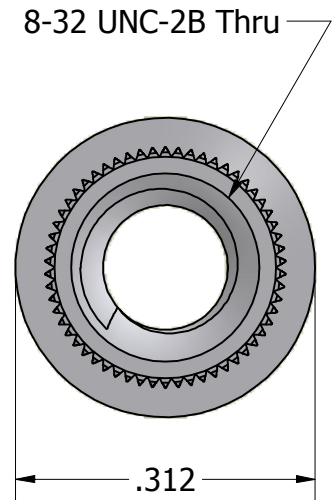
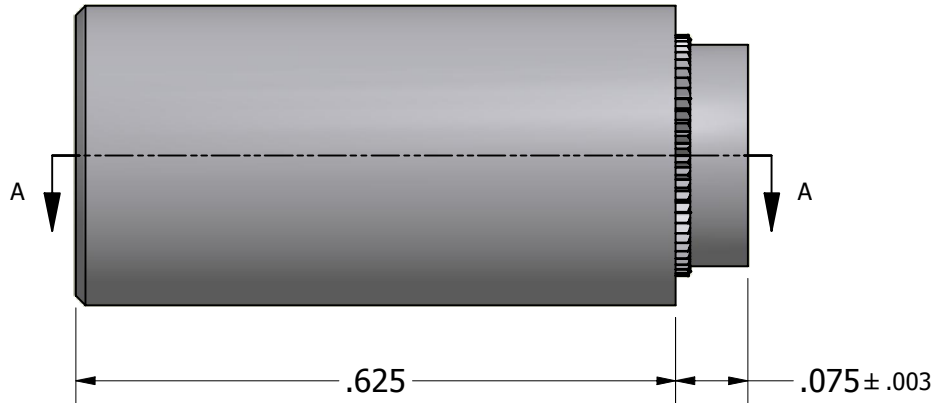


SECTION A-A



ISO SCALE 2 : 1



Tolerances Unless Otherwise Specified:

.xx Decimal: ± .02
.xxx Decimal: ± .005
Fraction: ± 1/64
Angle: ± 2°

LYN-TRON, INC.

Part Number:

ST6903SPA-0.625

Description:

5/16" Rnd 8-32 Swage Standoff

Drawn By:

COURTNEYS06/07/2012

Gauge:

Material:

Steel

Scale:

5 : 1