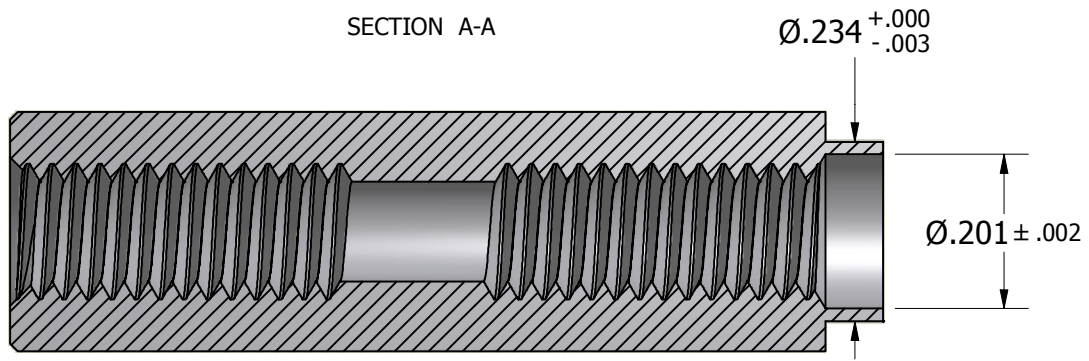
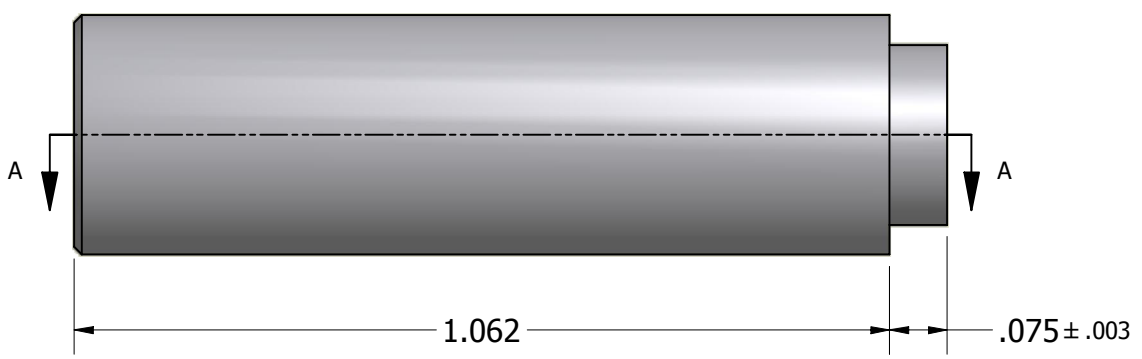


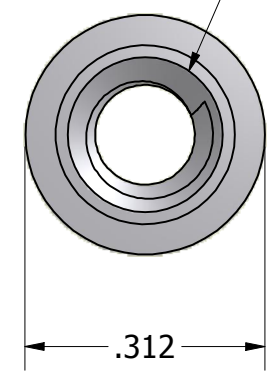
SECTION A-A



ISO SCALE 1 : 1



8-32 UNC-2B
.437 min (2 Pls)



Tolerances Unless Otherwise Specified:

- .xx Decimal: ± .02
- .xxx Decimal: ± .005
- Fraction: ± 1/64
- Angle: ± 2°

LYN-TRON, INC.

Part Number:
ST6903A-1.062

Description:
5/16 Round Swage Standoff

Drawn By:
JEFFN 06/23/2010

Gauge:

Material:
Steel

Scale:
4 : 1