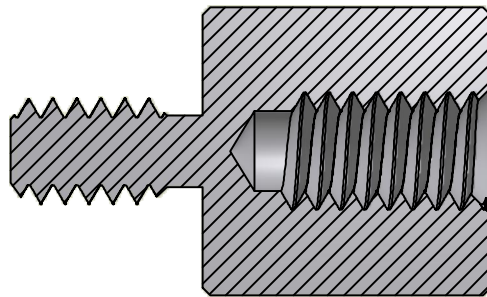
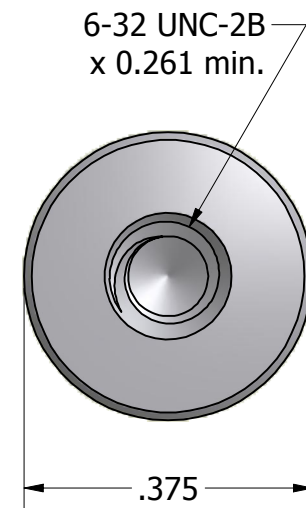
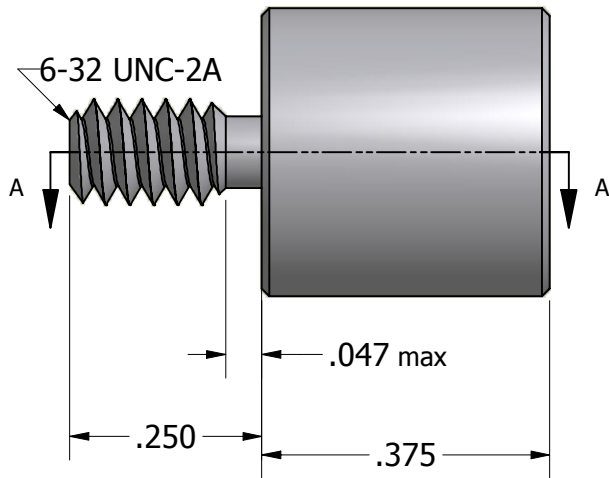


SECTION A-A



ISO SCALE 1 : 1



Tolerances Unless Otherwise Specified:

.xx Decimal: ± .02
.xxx Decimal: ± .005
Fraction: ± 1/64
Angle: ± 2°

LYN-TRON, INC.

Part Number:

ST6884-0.375

Description:

3/8 Round Male-Female Standoff

Drawn By:

RICKZ

01/23/2012

Gauge:

Material:

Steel

Scale:

4 : 1