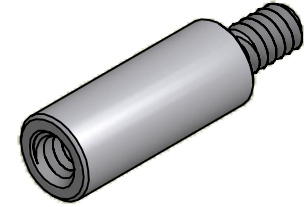
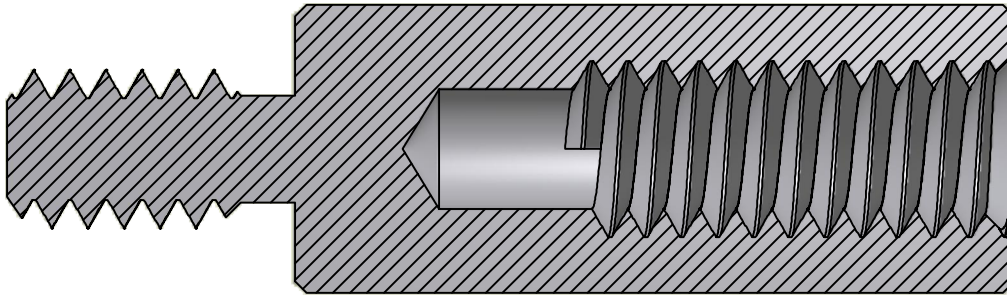
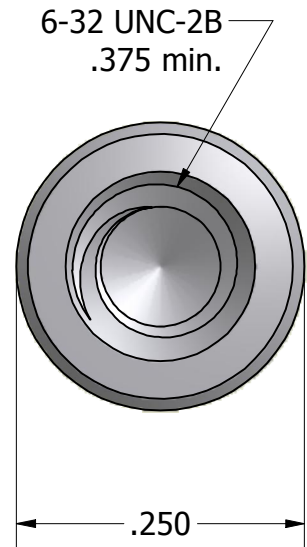
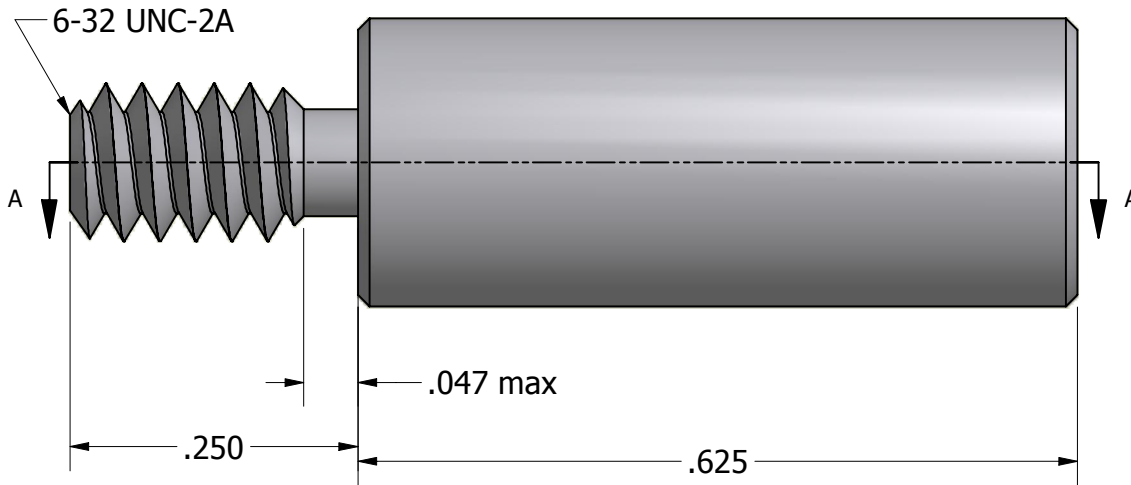


SECTION A-A



ISO SCALE 2 : 1



Tolerances Unless Otherwise Specified:			
.xx Decimal: $\pm .02$ .xxx Decimal: $\pm .005$ Fraction: $\pm 1/64$ Angle: $\pm 2^\circ$			
Part Number:		ST6881-0.625	
Description:		1/4 Round Male-Female Standoff	
Drawn By:	Gauge:	Material:	Scale:
COURTNEYS07/05/2011		Steel	6 : 1