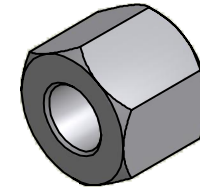
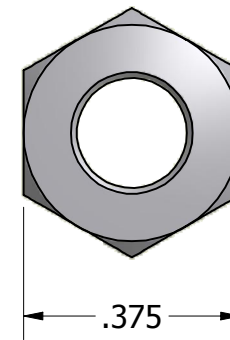
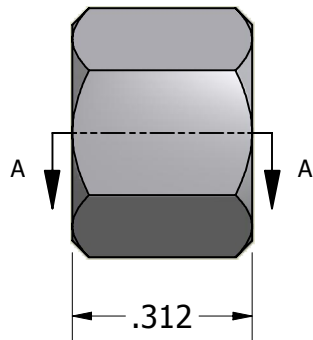


SECTION A-A



ISO SCALE 2 : 1



Tolerances Unless Otherwise Specified:

.xx Decimal: ± .02
.xxx Decimal: ± .005
Fraction: ± 1/64
Angle: ± 2°

LYN-TRON, INC.

Part Number:

ST6353-10-0.312

Description:

3/8 Hex Spacer

Drawn By:

JEFFN

06/20/2010

Gauge:

Material:

Steel

Scale:

3 : 1