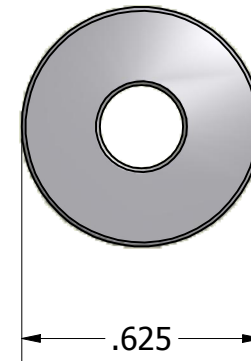
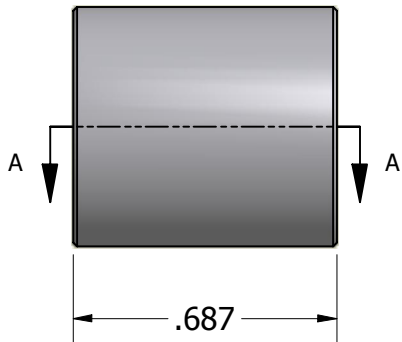


SECTION A-A



ISO SCALE 1 : 1



Tolerances Unless Otherwise Specified:

.xx Decimal: $\pm .02$
.xxx Decimal: $\pm .005$
Fraction: $\pm 1/64$
Angle: $\pm 2^\circ$

LYN-TRON, INC.

Part Number:

ST6346-12-0.687

Description:

5/8 Round Spacer

Drawn By:

COURTNEYS06/20/2010

Gauge:

Material:

Steel

Scale:

2 : 1