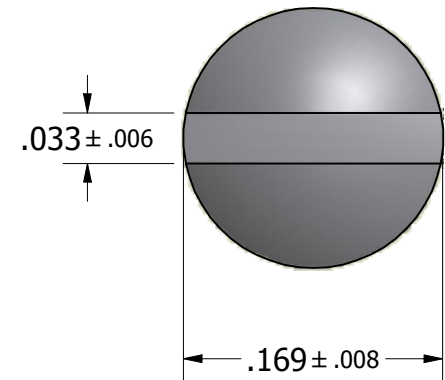
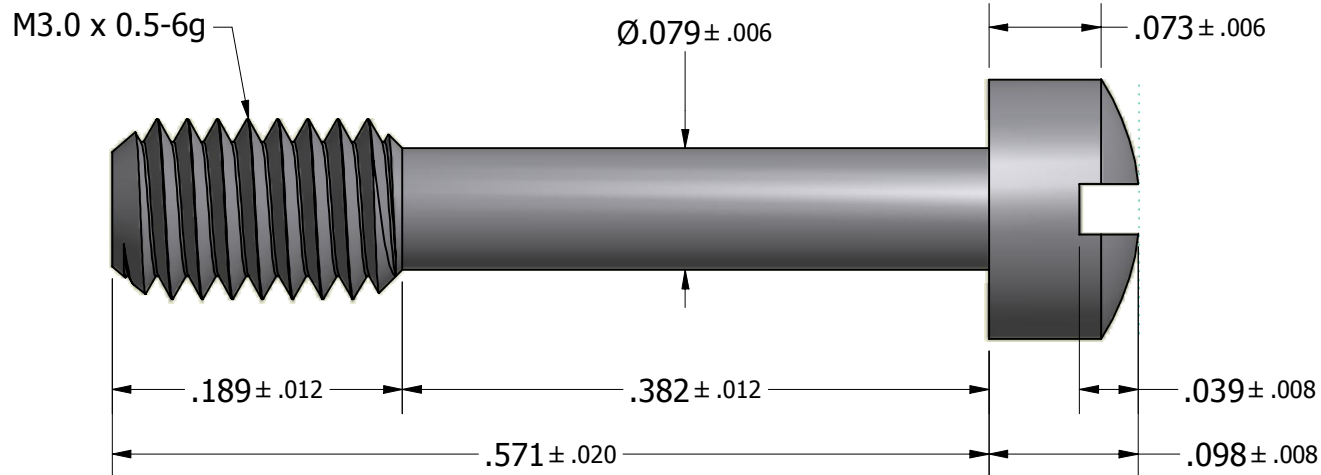


ISO SCALE 3 : 1



Tolerances Unless Otherwise Specified:

.xx Decimal: $\pm .01$
.xxx Decimal: $\pm .004$
Fraction: $\pm 1/64$
Angle: $\pm 2^\circ$

LYN-TRON, INC.

Part Number:

ST5788

Description:

4.3mm Rnd Captive Panel Screw -- Type 4

Drawn By:

Cameron C. 1/14/2014

Gauge:

Material:

Stainless Steel

Scale:

8:1