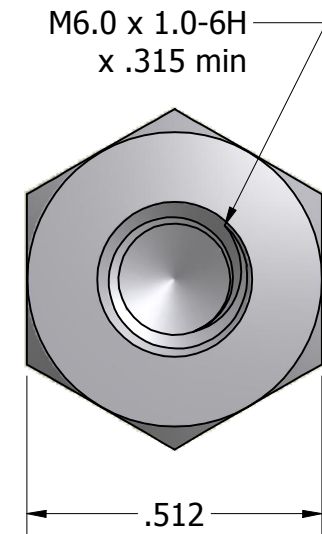
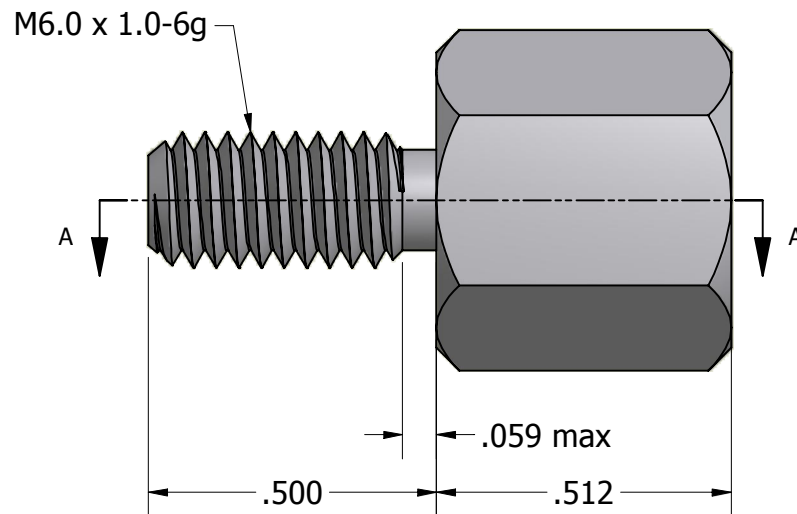


ISO SCALE 1 : 1



Tolerances Unless Otherwise Specified:

.xx Decimal: $\pm .01$
.xxx Decimal: $\pm .005$
Fraction: $\pm 1/64$
Angle: $\pm 2^\circ$

LYN-TRON, INC.

Part Number:

ST5182-13.0

Description:

13mm Hex Male-Female Standoff

Drawn By:

kenang 12/7/2010

Gauge:

Material:

Steel

Scale:

3:1