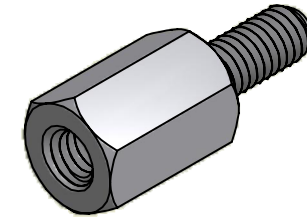
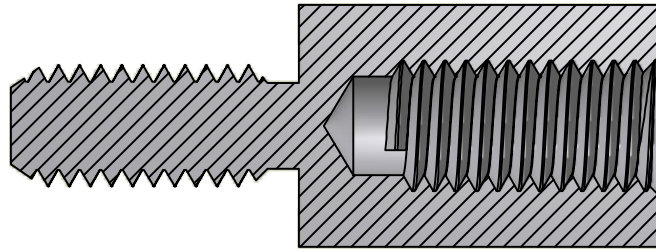
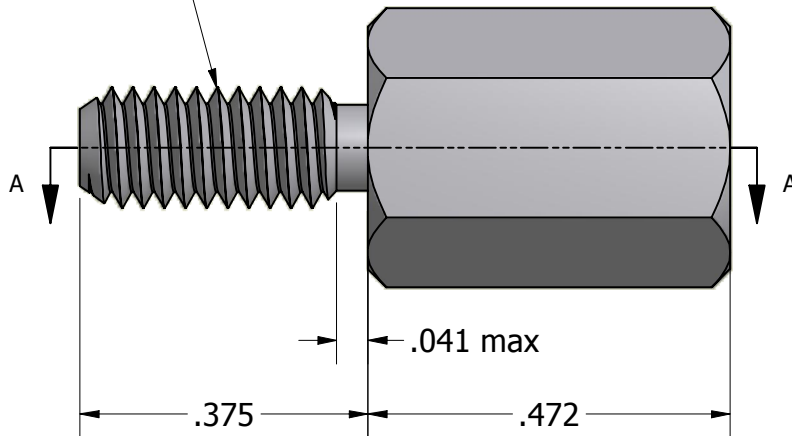


SECTION A-A

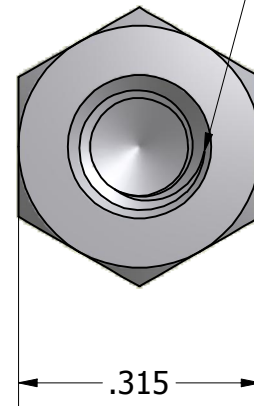


ISO SCALE 2 : 1

M4.0 x 0.7-6g



M4.0 x 0.7-6H
x .346 min



Tolerances Unless Otherwise Specified:

.xx Decimal: ± .01
.xxx Decimal: ± .004
Fraction: ± 1/64
Angle: ± 2°

LYN-TRON, INC.

Part Number:

ST5176-12.0

Description:

8mm Hex Male-Female Standoff

Drawn By:

kenang 8/20/2010

Gauge:

Material:

Steel 12L14

Scale:

4:1