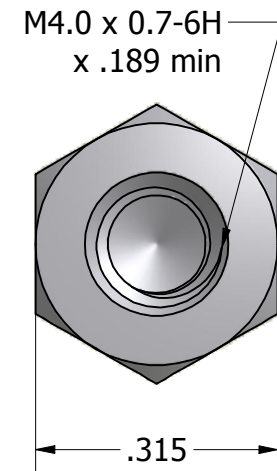
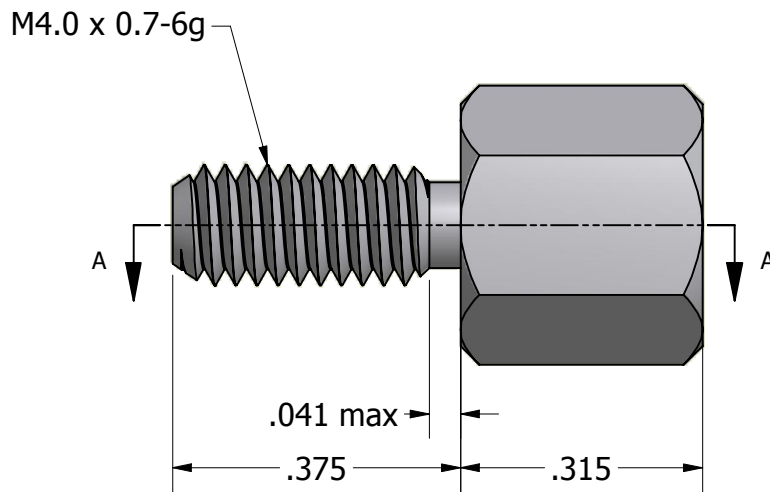


ISO SCALE 2 : 1



Tolerances Unless Otherwise Specified:

.xx Decimal: ± .01
.xxx Decimal: ± .004
Fraction: ± 1/64
Angle: ± 2°

LYN-TRON, INC.

Part Number:

ST5176-08.0

Description:

8mm Hex Male-Female Standoff

Drawn By:

kenang 9/17/2010

Gauge:

Material:

Steel

Scale:

4:1