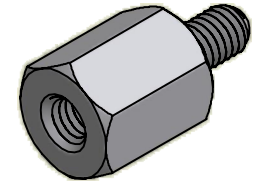
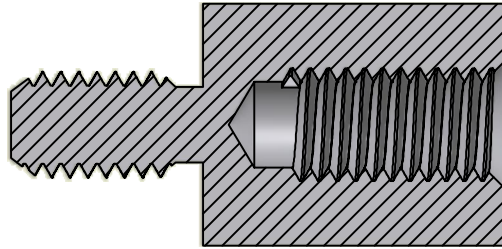
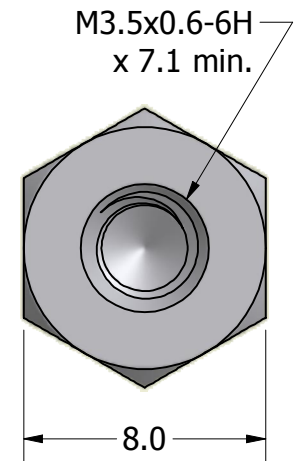
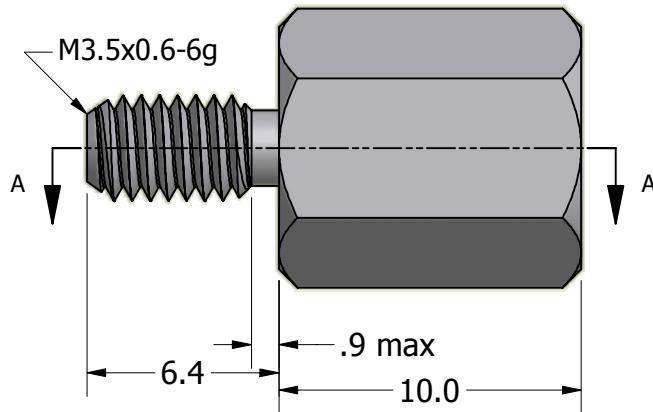


SECTION A-A



ISO SCALE 2 : 1



Tolerances Unless Otherwise Specified:

.x Decimal: ± 0.3
.xx Decimal: ± .13
Fraction: ± 1/64
Angle: ± 2°

LYN-TRON, INC.

Part Number:
ST5175-10.0

Description:
8mm Hex M3.5x.6 M/F Standoff

Drawn By:
COURTNEYS08/09/2012

Gauge:
Steel

Material:
Steel

Scale:
4 : 1