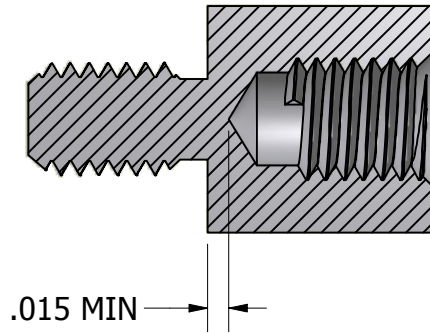
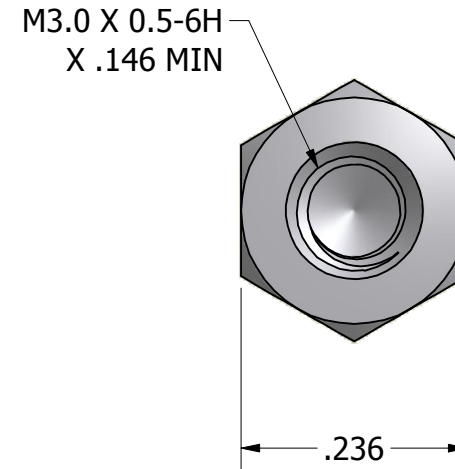
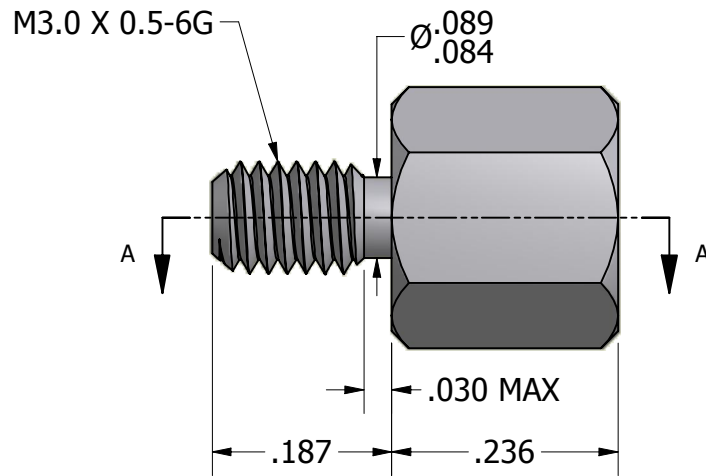


SECTION A-A



ISO SCALE 3 : 1



Tolerances Unless Otherwise Specified:

.xx Decimal: $\pm .01$
 .xxx Decimal: $\pm .004$
 Fraction: $\pm 1/64$
 Angle: $\pm 2^\circ$

LYN-TRON, INC.

Part Number:
ST5172-06.0

Description:
6mm Hex Male-Female Standoff

Drawn By:
Rick Z 8/5/2011

Gauge:
Steel

Material:
Steel

Scale:
5:1