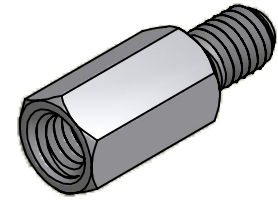
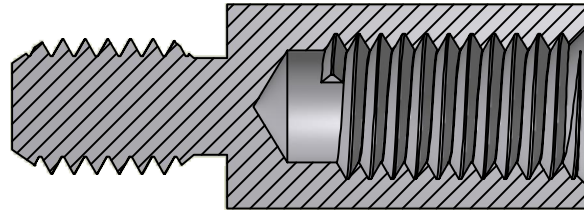
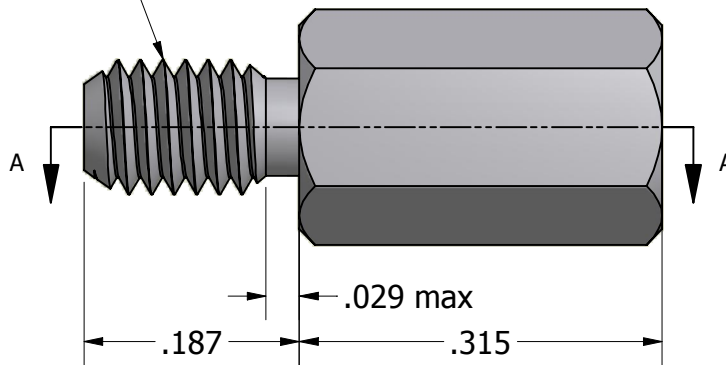


SECTION A-A

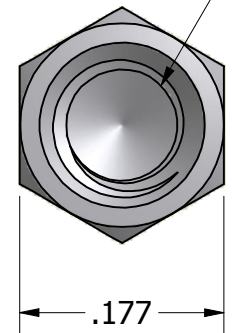


ISO SCALE 3 : 1

M3.0 x 0.5-6g



M3.0 x 0.5-6H  
x .224 min



Tolerances Unless Otherwise Specified:

**.xx Decimal:** ± .02  
**.xxx Decimal:** ± .005  
**Fraction:** ± 1/64  
**Angle:** ± 2°

**LYN-TRON, INC.**

Part Number:

**ST5171-08.0**

Description:

**4.5mm Hex Male-Female Standoff**

Drawn By:

**KenanG 3/16/2011**

Gauge:

Material:

**Steel 12L14**

Scale:

**6:1**