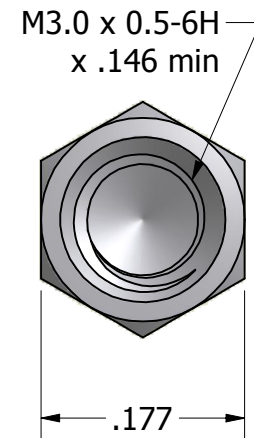
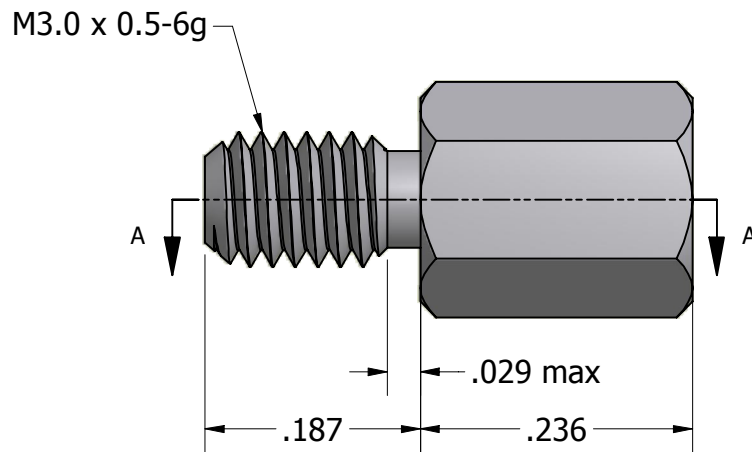


ISO SCALE 3 : 1



Tolerances Unless Otherwise Specified:

**.xx Decimal:** ± .02  
**.xxx Decimal:** ± .005  
**Fraction:** ± 1/64  
**Angle:** ± 2°

**LYN-TRON, INC.**

Part Number:

**ST5171-06.0**

Description:

**4.5mm Hex Male-Female Standoff**

Drawn By:

**kenang 1/11/2011**

Gauge:

Material:

**Steel**

Scale:

**6:1**