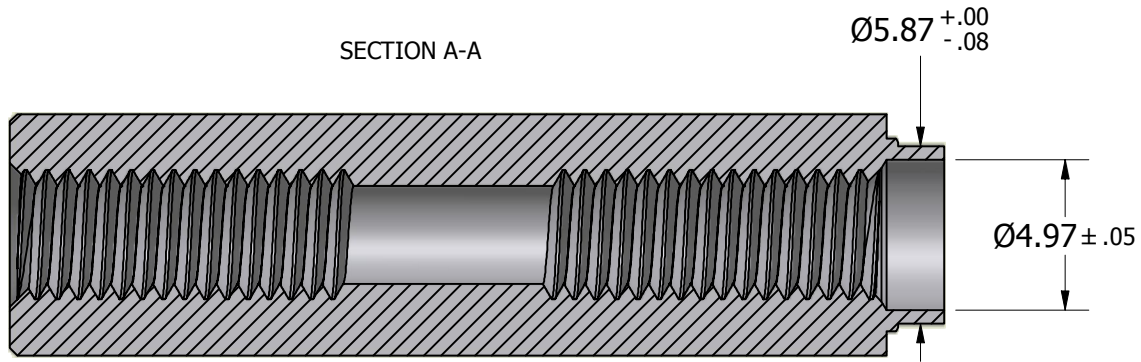
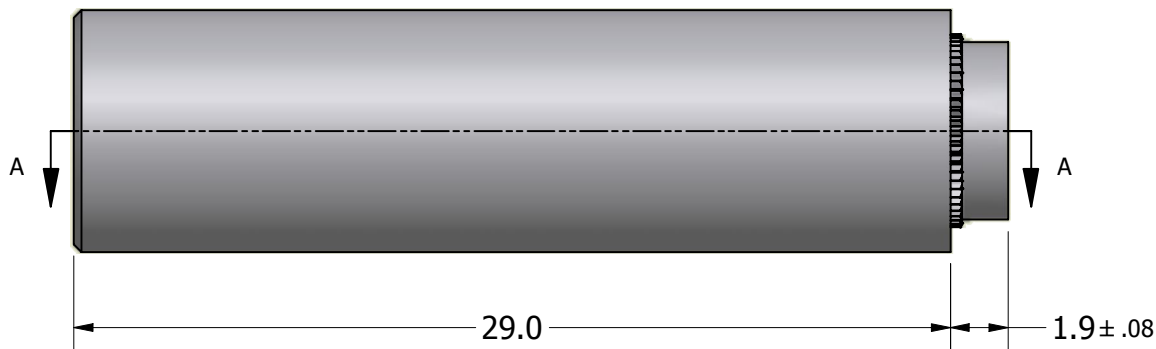


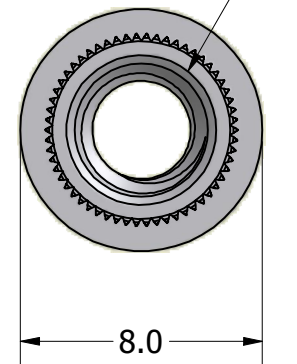
SECTION A-A



ISO SCALE 1 : 1



M4.0x0.7-6H
11.1 min (2 Pls)



Tolerances Unless Otherwise Specified:

.x Decimal: ± 0.3
 .xx Decimal: ± .13
 Fraction: ± 1/64
 Angle: ± 2°

LYN-TRON, INC.

Part Number:

ST5118SPA-29.0

Description:

8mm Rnd M4X.7 F/F Swage Standoff

Drawn By:

COURTNEYS08/06/2012

Gauge:

Material:

Steel

Scale:

4 : 1