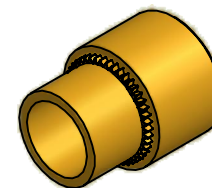
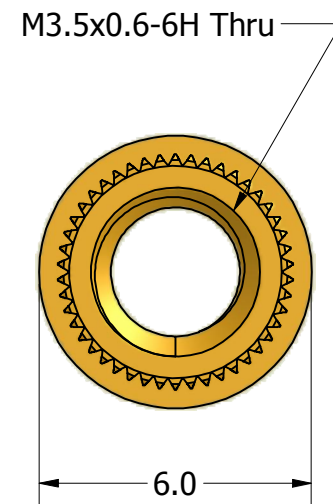
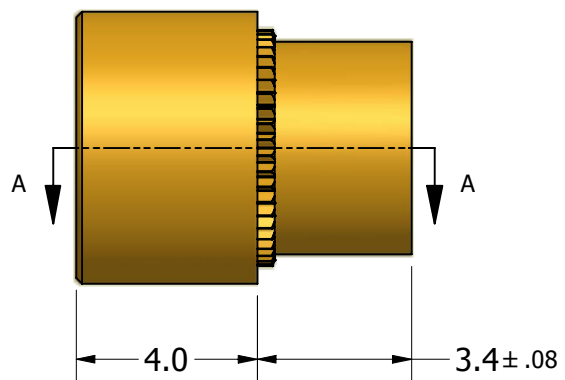


SECTION A-A



ISO SCALE 3 : 1



Tolerances Unless Otherwise Specified:

.x Decimal: ± 0.3
 .xx Decimal: ± .13
 Fraction: ± 1/64
 Angle: ± 2°

LYN-TRON, INC.

Part Number:
ST5115SPC-04.0

Description:
6mm Rnd M3.5X.6 Swage Standoff

Drawn By:
COURTNEYS07/31/2012

Gauge:
 Material:
Steel

Scale:
6 : 1