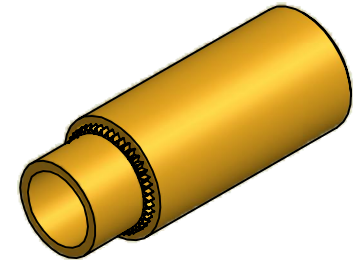
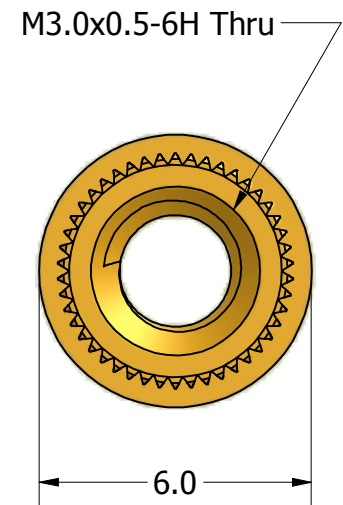
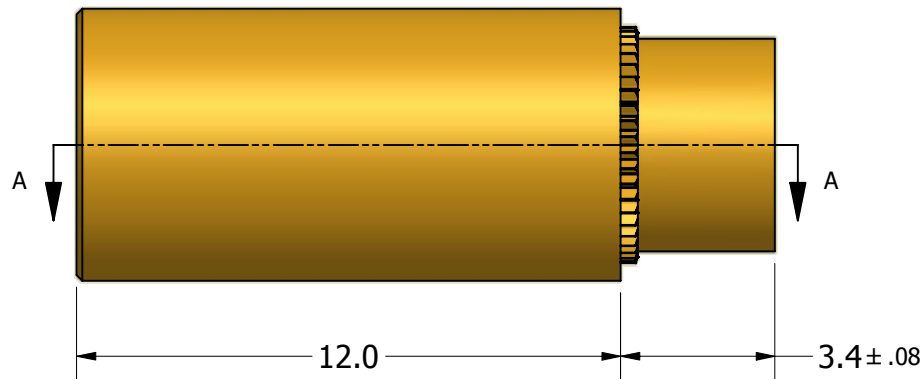


SECTION A-A



ISO SCALE 3 : 1



Tolerances Unless Otherwise Specified:

.x Decimal: ± 0.3  
 .xx Decimal: ± .13  
 Fraction: ± 1/64  
 Angle: ± 2°

**LYN-TRON, INC.**

Part Number:  
**ST5114SPC-12.0**

Description:  
**6mm Rnd M3X.5 Swage Standoff**

Drawn By:  
**COURTNEYS07/31/2012**

Gauge:  
 Material:  
**Steel**

Scale:  
**6 : 1**