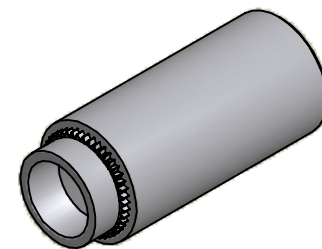
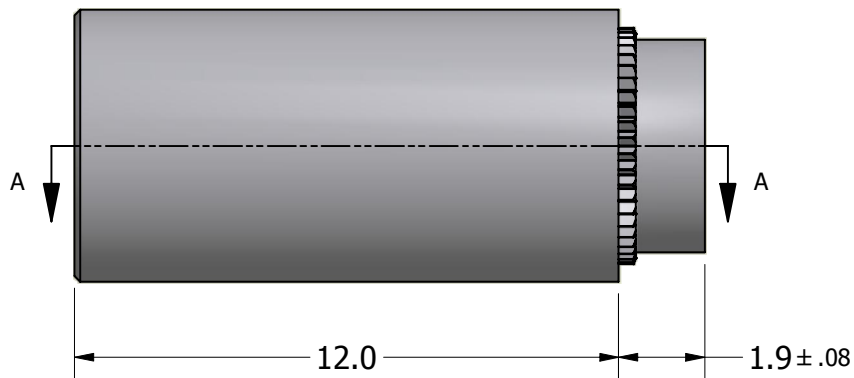


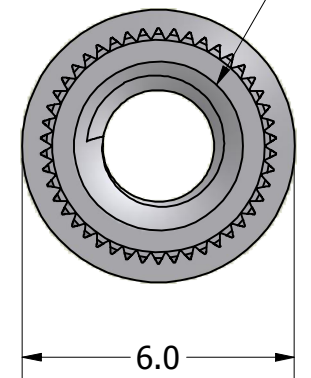
SECTION A-A



ISO SCALE 3 : 1



M3.0x0.5-6H Thru



Tolerances Unless Otherwise Specified:

.x Decimal:  $\pm 0.3$   
 .xx Decimal:  $\pm .13$   
 Fraction:  $\pm 1/64$   
 Angle:  $\pm 2^\circ$

**LYN-TRON, INC.**

Part Number:

**ST5114SPA-12.0**

Description:

**6mm Rnd M3X.5 Swage Standoff**

Drawn By:

**COURTNEYS07/09/2012**

Gauge:

Material:

**Steel**

Scale:

**6 : 1**