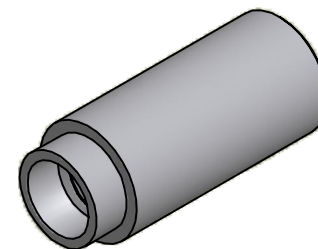
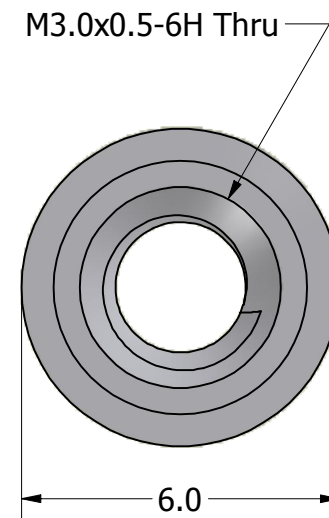
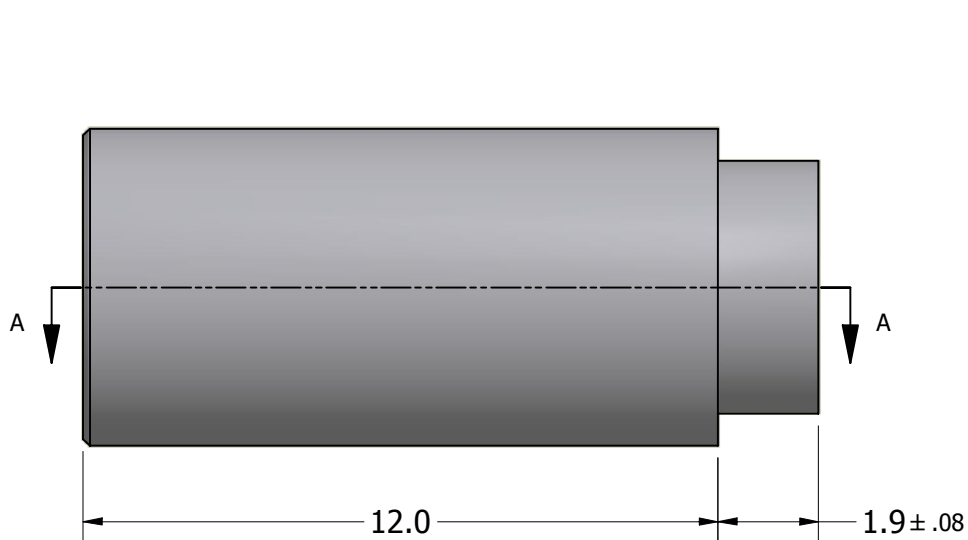


SECTION A-A



ISO SCALE 3 : 1



Tolerances Unless Otherwise Specified:

.x Decimal: ± 0.3
 .xx Decimal: $\pm .13$
 Fraction: $\pm 1/64$
 Angle: $\pm 2^\circ$

LYN-TRON, INC.

Part Number:

ST5114A-12.0

Description:

6mm Rnd M3X.5 Swage Standoff

Drawn By:

RICKZ 03/08/2012

Gauge:

Material:

Steel

Scale:

7 : 1