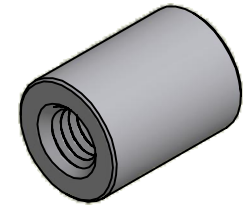
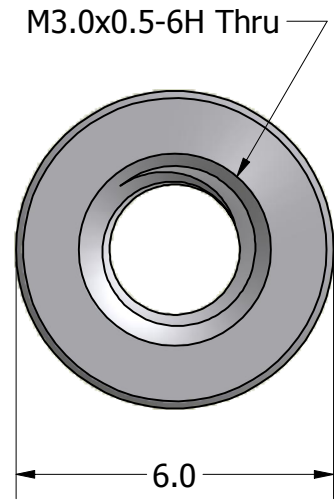
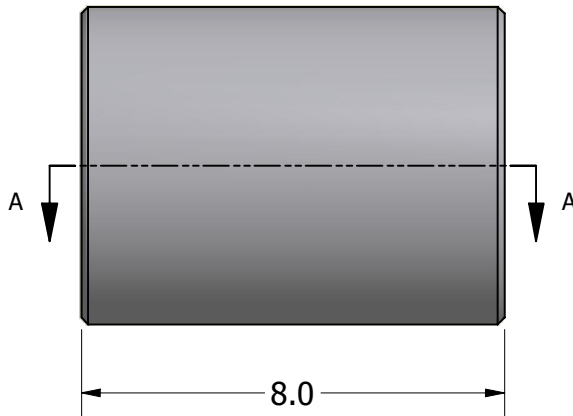


SECTION A-A



ISO SCALE 3 : 1



Tolerances Unless Otherwise Specified:

**.x Decimal:**  $\pm 0.3$   
**.xx Decimal:**  $\pm .13$   
**Fraction:**  $\pm 1/64$   
**Angle:**  $\pm 2^\circ$

**LYN-TRON, INC.**

Part Number:

**ST5071-3050-08.0**

Description:

**6mm Rnd Standoff**

Drawn By:

**CAMERONC 09/11/2013**

Gauge:

Material:

**Steel**

Scale:

**7 : 1**