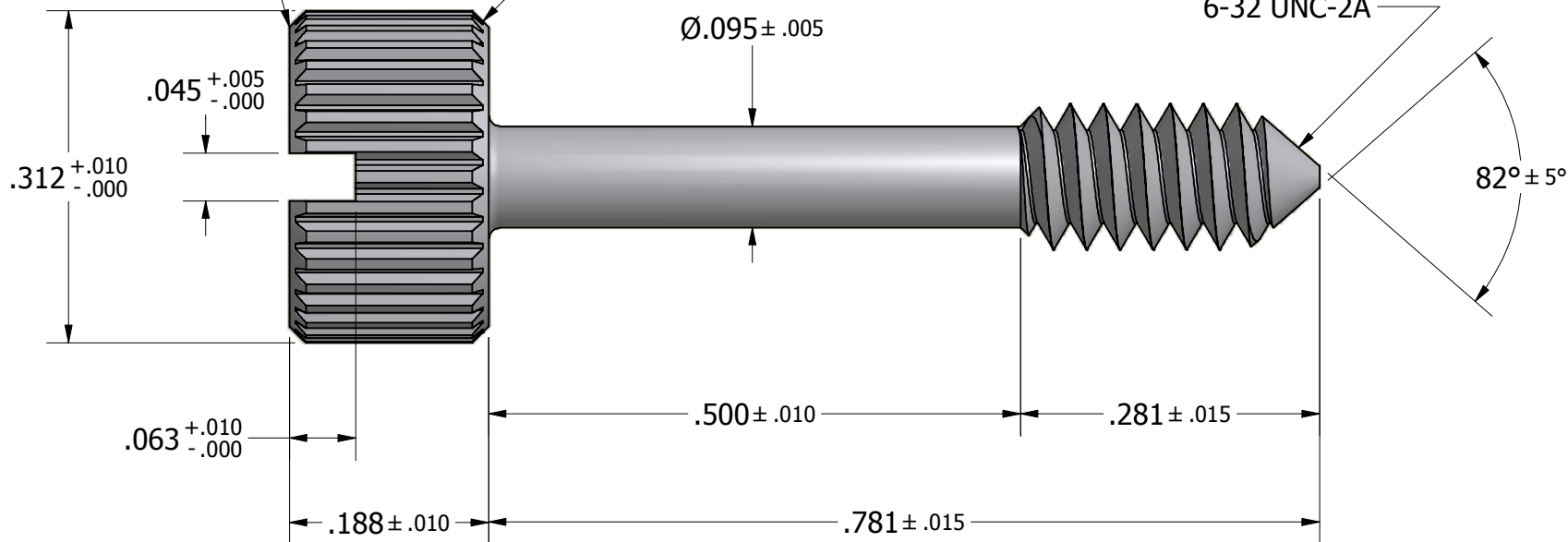


35 TPI Straight Knurl

1/64 x 45° Typ

6-32 UNC-2A



Tolerances Unless Otherwise Specified:

.xx Decimal: $\pm .02$
.xxx Decimal: $\pm .005$
Fraction: $\pm 1/64$
Angle: $\pm 2^\circ$

LYN-TRON, INC.

Part Number:

ST3107

Description:

Captive Panel Screw -- Type 1

Drawn By:

COURTNEYS02/09/2011

Gauge:

Material:

Steel

Scale:

6 : 1