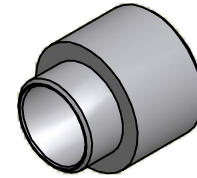
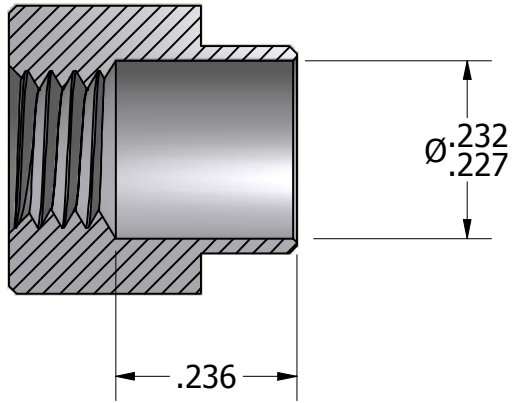
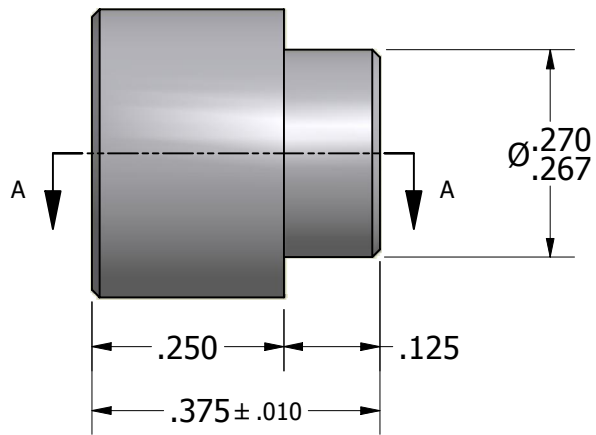


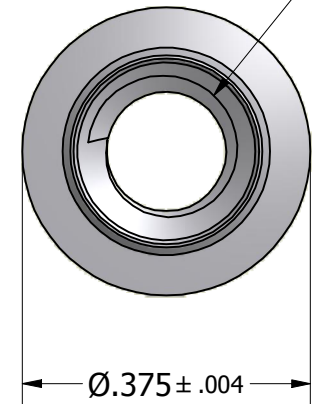
SECTION A-A



ISO SCALE 2 : 1



10-32 UNF-2B Thru



Tolerances Unless Otherwise Specified:

.xx Decimal: ± .02
 .xxx Decimal: ± .005
 Fraction: ± 1/64
 Angle: ± 2°

LYN-TRON, INC.

Part Number:

SSR045-125

Description:

3/8 Rnd Panel Screw Retainer -- Type F

Drawn By:

kenang 1/6/2011

Gauge:

STD

Material:

Stainless Steel 303

Scale:

4:1