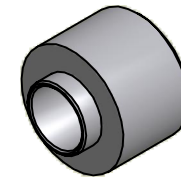
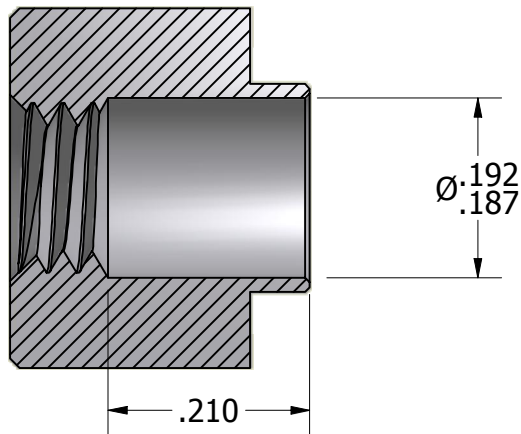
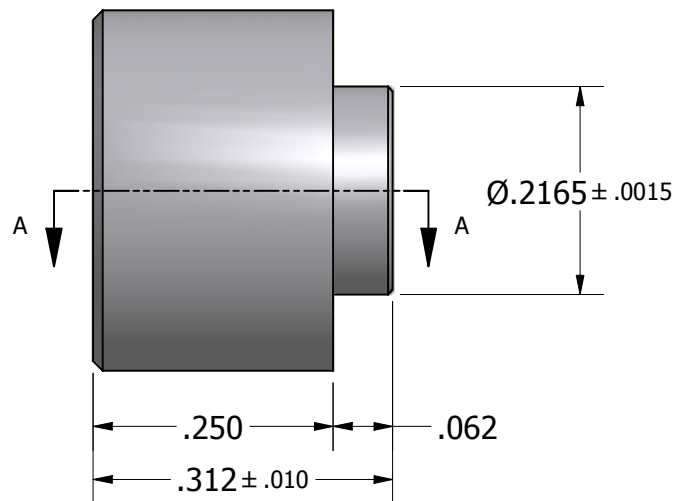


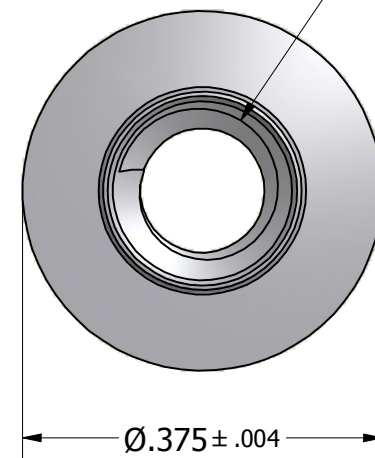
SECTION A-A



ISO SCALE 2 : 1



8-32 UNC-2A Thru



Tolerances Unless Otherwise Specified:

.xx Decimal: ± .02  
 .xxx Decimal: ± .005  
 Fraction: ± 1/64  
 Angle: ± 2°

**LYN-TRON, INC.**

Part Number:

**SSR043-062**

Description:

**3/8 Rnd Panel Screw Retainer --Type F**

Drawn By:

**kenang 1/20/2011**

Gauge:

**STD**

Material:

**Stainless Steel 303**

Scale:

**5:1**