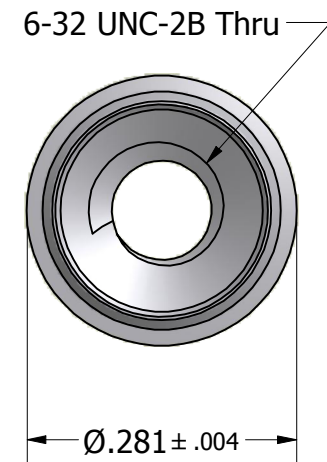
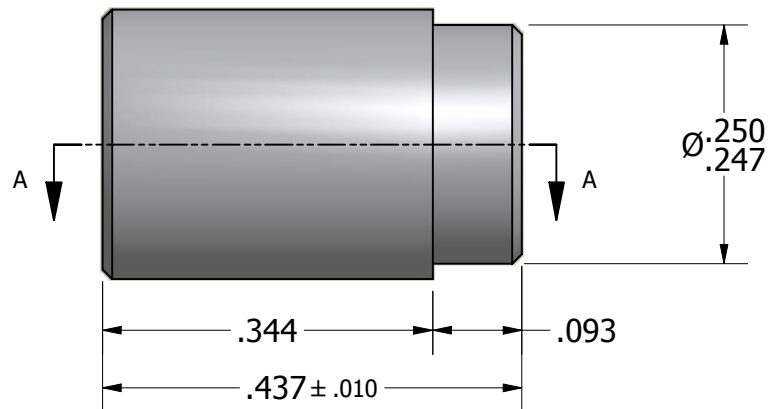


ISO SCALE 2 : 1



Tolerances Unless Otherwise Specified:

.xx Decimal: $\pm .02$
.xxx Decimal: $\pm .005$
Fraction: $\pm 1/64$
Angle: $\pm 2^\circ$

LYN-TRON, INC.

Part Number:

SSR026-093

Description:

9/32 Rnd Panel Screw Retainer -- Type D

Drawn By:

kenang 12/6/2010

Gauge:

STD

Material:

Stainless Steel

Scale:

5:1