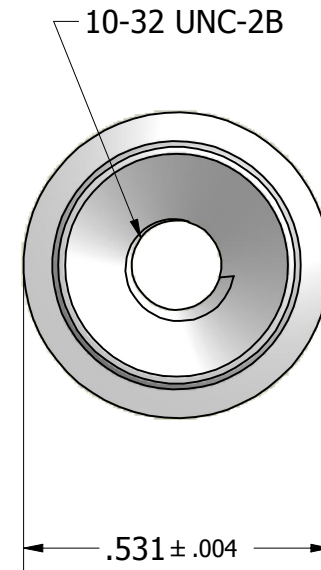
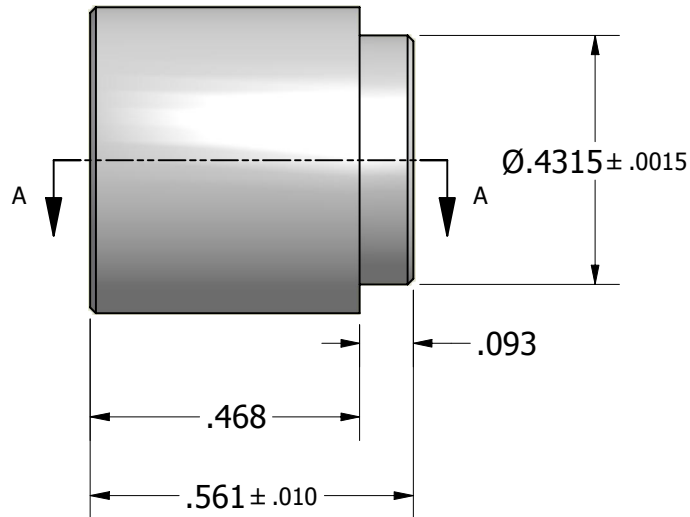


ISO SCALE 1 : 1



Tolerances Unless Otherwise Specified:

**.xx Decimal:**  $\pm .02$   
**.xxx Decimal:**  $\pm .005$   
**Fraction:**  $\pm 1/64$   
**Angle:**  $\pm 2^\circ$

**LYN-TRON, INC.**

Part Number:

**SSR013-093**

Description:

**17/32 Round Panel Screw Retainer -- Type B**

Drawn By:

**kenang 6/25/2010**

Gauge:

**STD**

Material:

**Stainless Steel**

Scale:

**4:1**