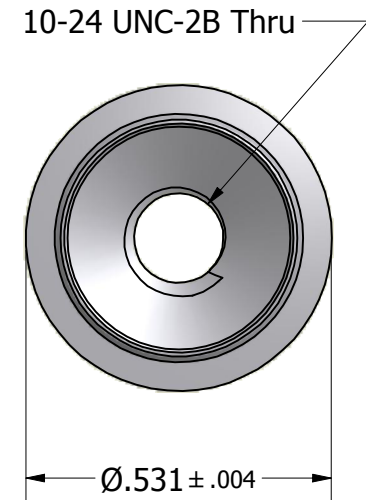
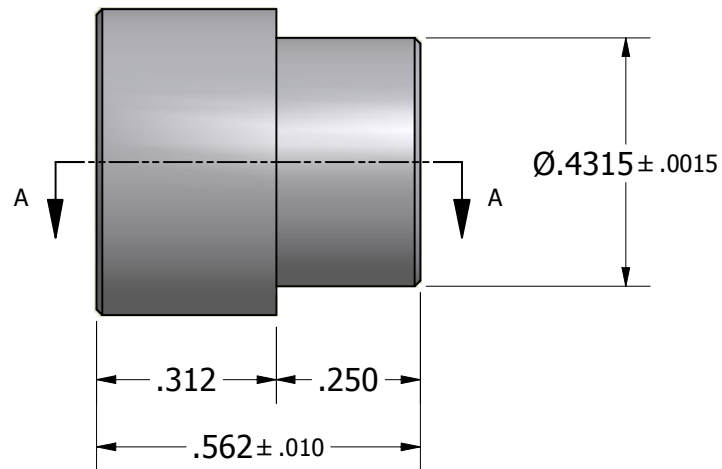
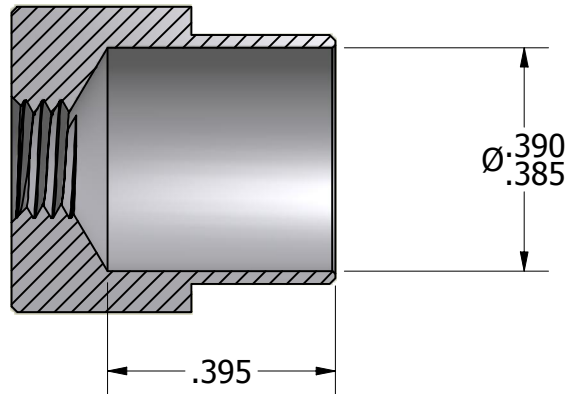


SECTION A-A



Tolerances Unless Otherwise Specified:

.xx Decimal: ± .02
.xxx Decimal: ± .005
Fraction: ± 1/64
Angle: ± 2°

LYN-TRON, INC.

Part Number:

SSR012-250

Description:

17/32 Rnd Panel Screw -- Type B

Drawn By:

kenang 1/14/2011

Gauge:

STD

Material:

Stainless Steel

Scale:

4:1