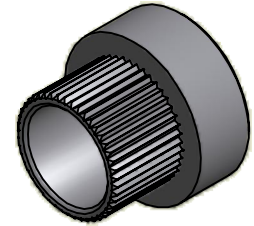
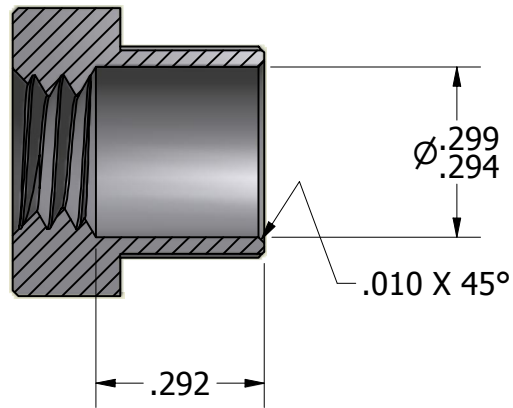
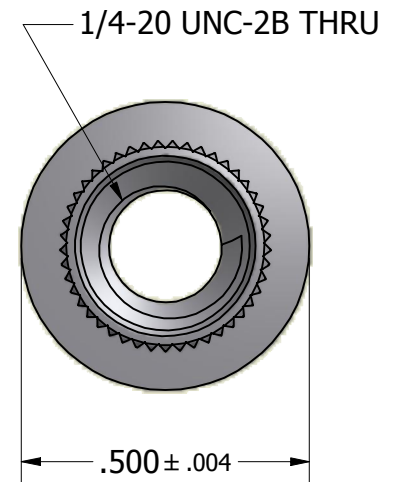
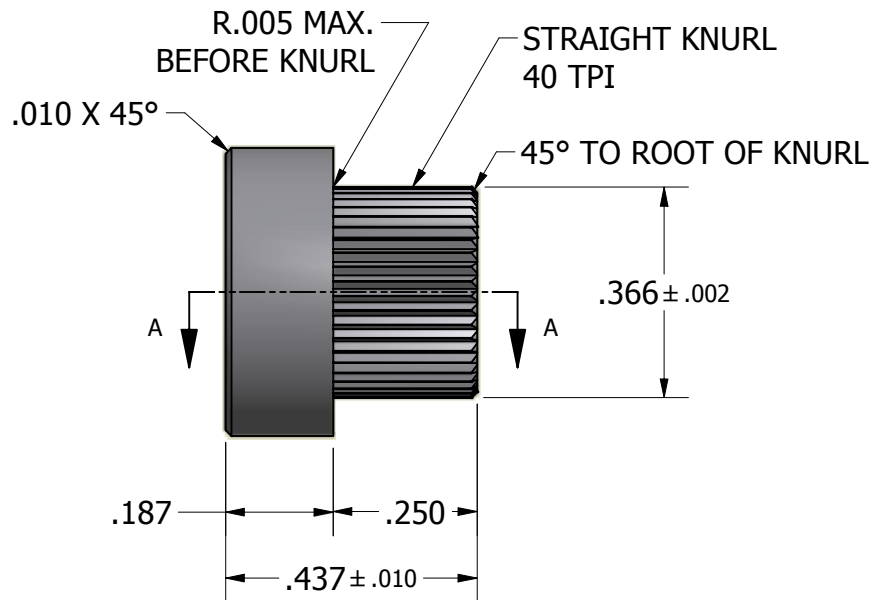


SECTION A-A



ISO SCALE 2 : 1



Tolerances Unless Otherwise Specified:

.xx Decimal: ± .02
 .xxx Decimal: ± .005
 Fraction: ± 1/64
 Angle: ± 2°

LYN-TRON, INC.

Part Number:

SSR005-250

Description:

1/2 Panel Screw Retainer - Type A

Drawn By:

Rick Z

10/17/2011

Gauge:

STD

Material:

Stainless Steel 303

Scale:

3:1