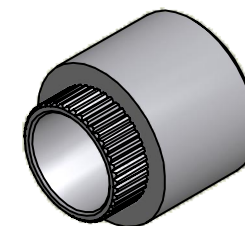
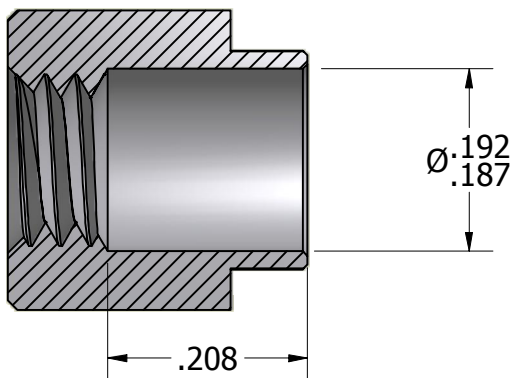
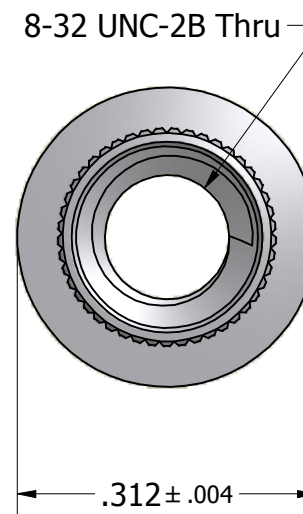
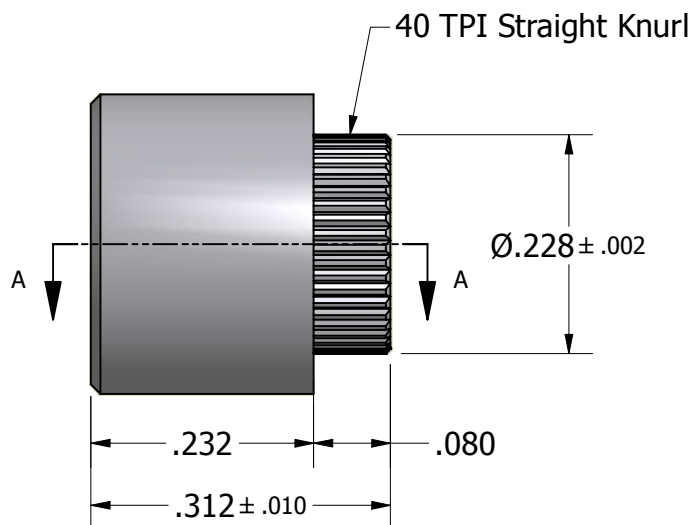


SECTION A-A



ISO SCALE 3 : 1



Tolerances Unless Otherwise Specified:

.xx Decimal: ± .02  
 .xxx Decimal: ± .005  
 Fraction: ± 1/64  
 Angle: ± 2°

**LYN-TRON, INC.**

Part Number:

**SSR002-080**

Description:

**5/16 Rnd Panel Screw Retainer -- Type A**

Drawn By:

**KenanG 6/28/2011**

Gauge:

**STD**

Material:

**Stainless Steel 303**

Scale:

**5:1**