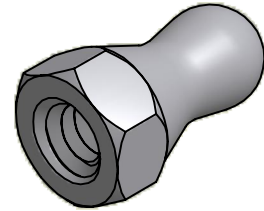
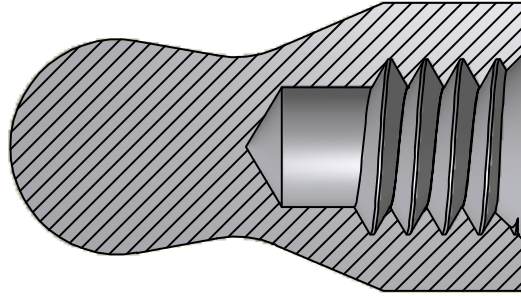
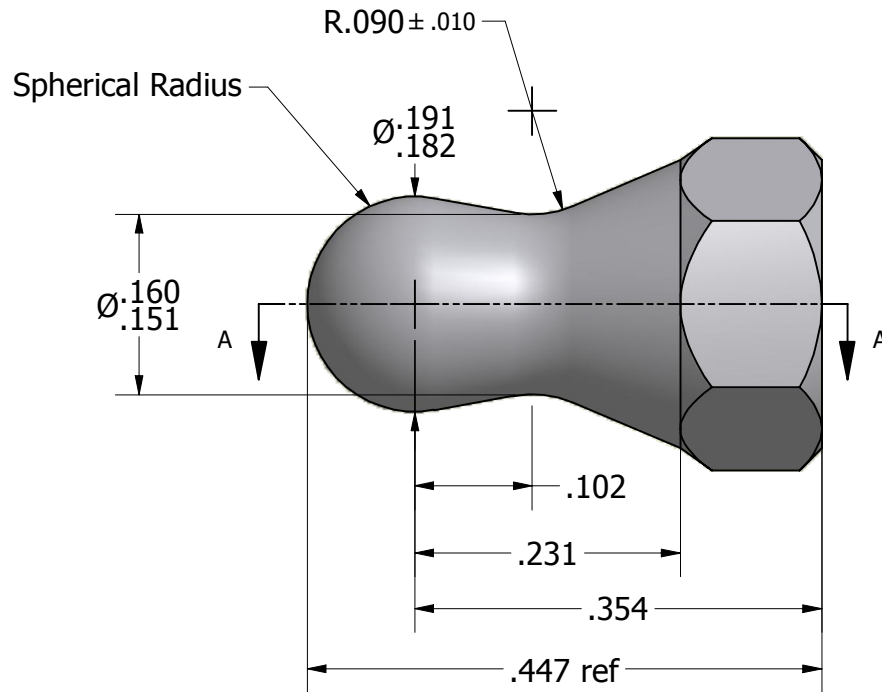


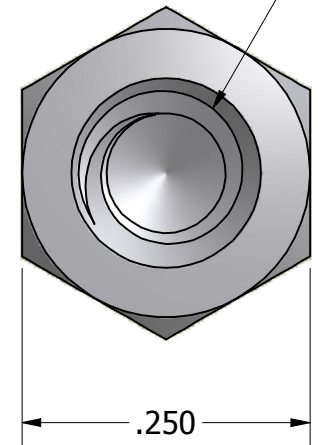
SECTION A-A



ISO SCALE 3 : 1



6-32 UNC-2B  
x .141 min  
Full Threads



Tolerances Unless Otherwise Specified:

**.xx Decimal:**  $\pm .02$   
**.xxx Decimal:**  $\pm .005$   
**Fraction:**  $\pm 1/64$   
**Angle:**  $\pm 2^\circ$

**LYN-TRON, INC.**

Part Number:

**SSB101-0.447**

Description:

**1/4 Hex Ball Stud**

Drawn By:

**KenanG 6/20/2011**

Gauge:

**STD**

Material:

**Stainless Steel 303**

Scale:

**6:1**